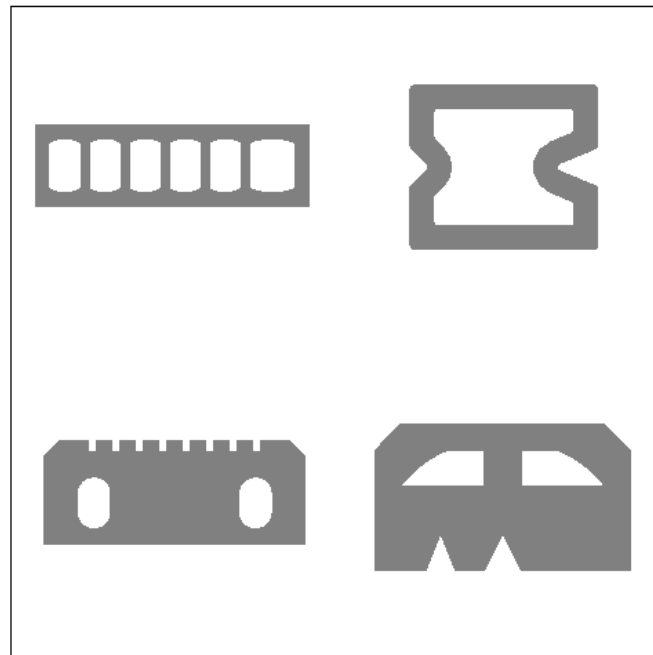
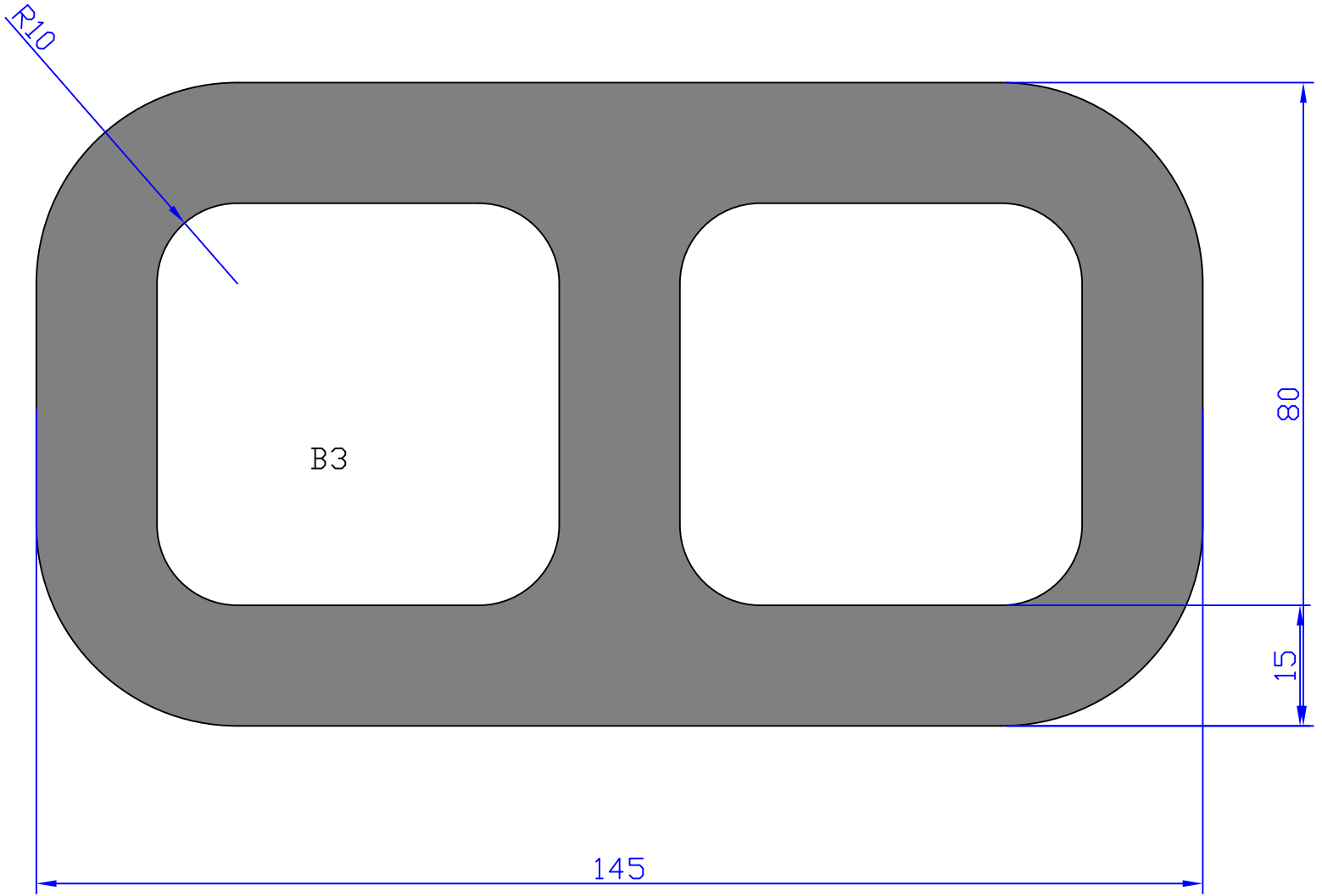


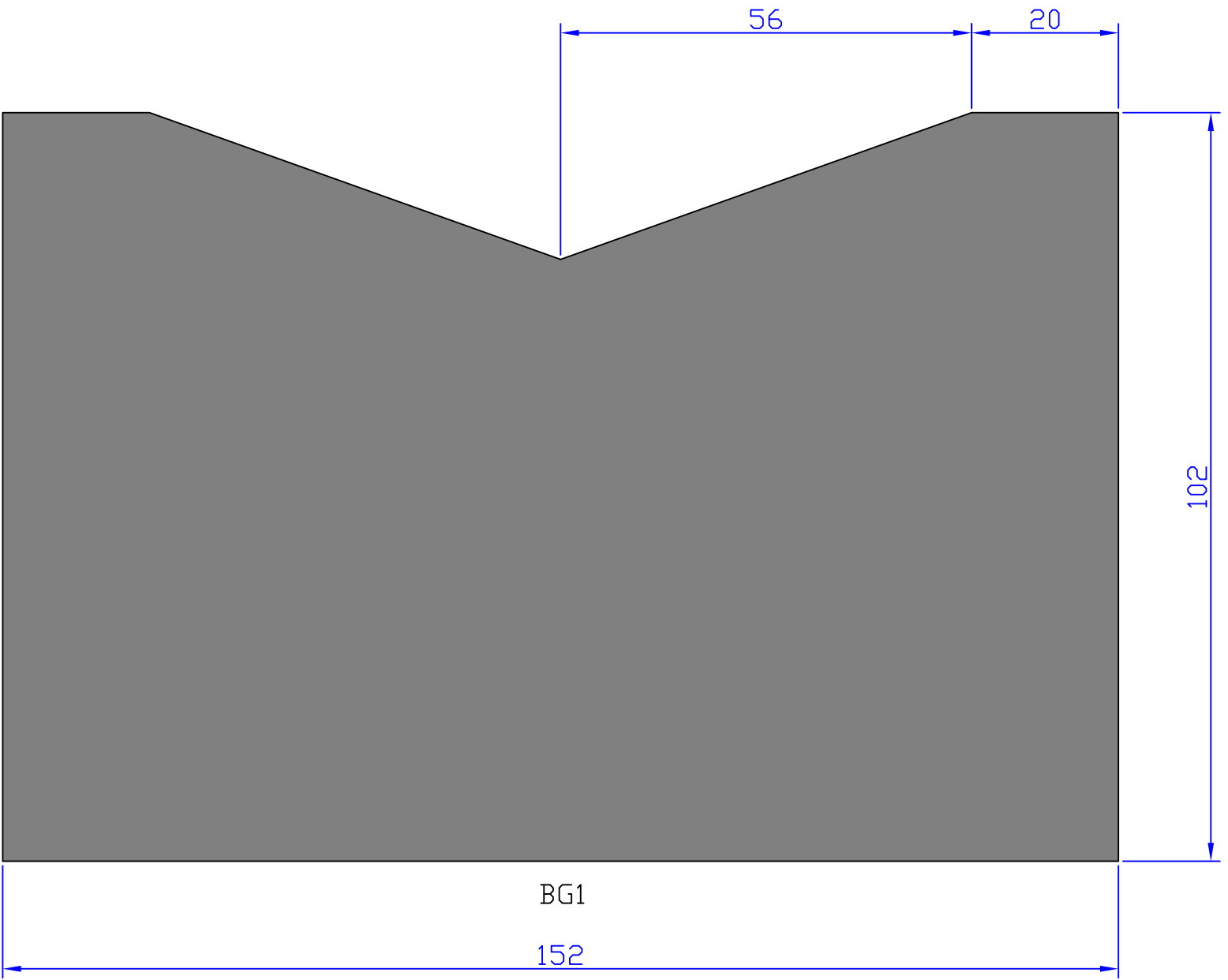


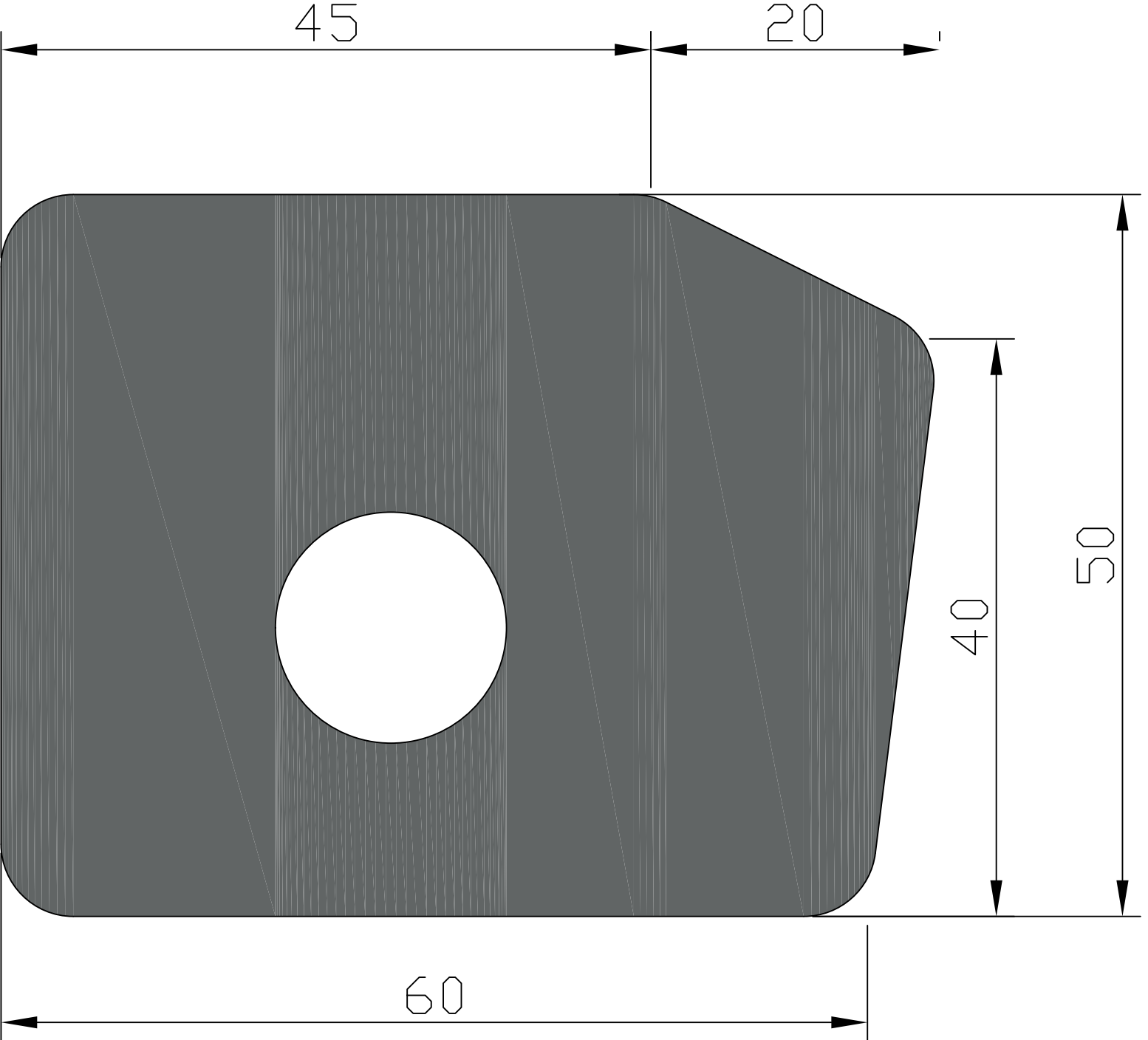
Bespoke Extrusion Profiles:

Squares and rectangles

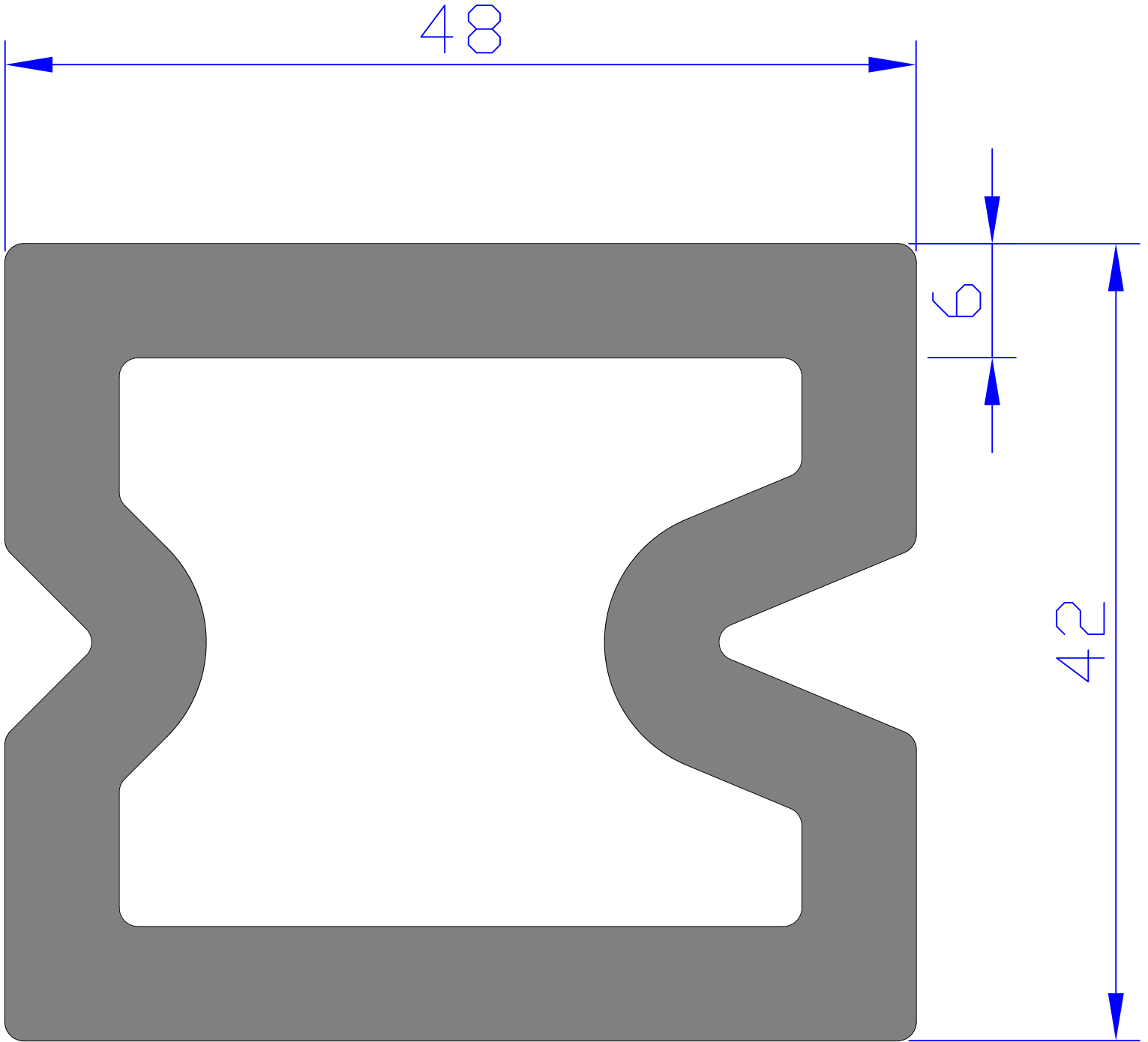




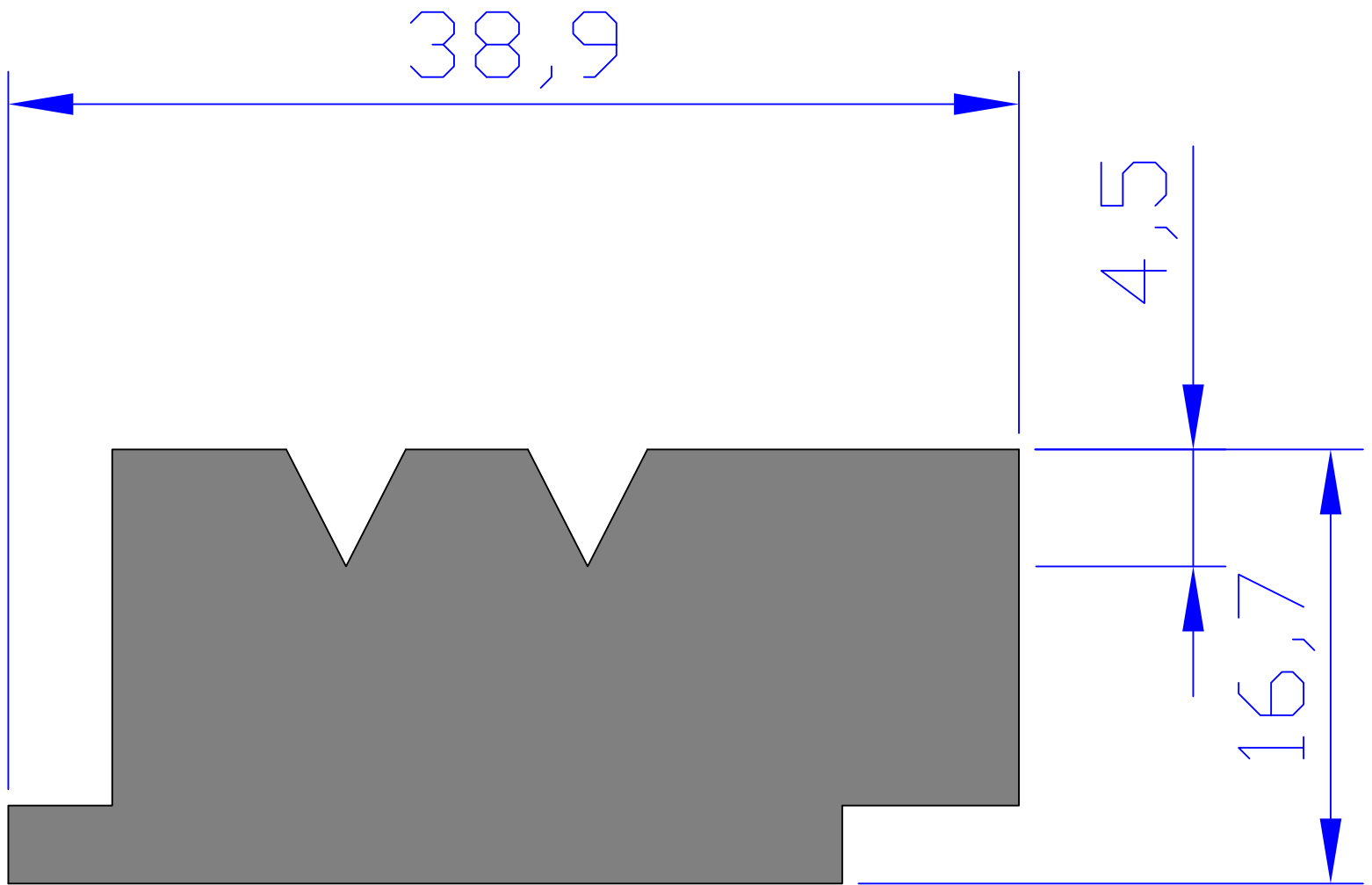




BG6050



BS4842



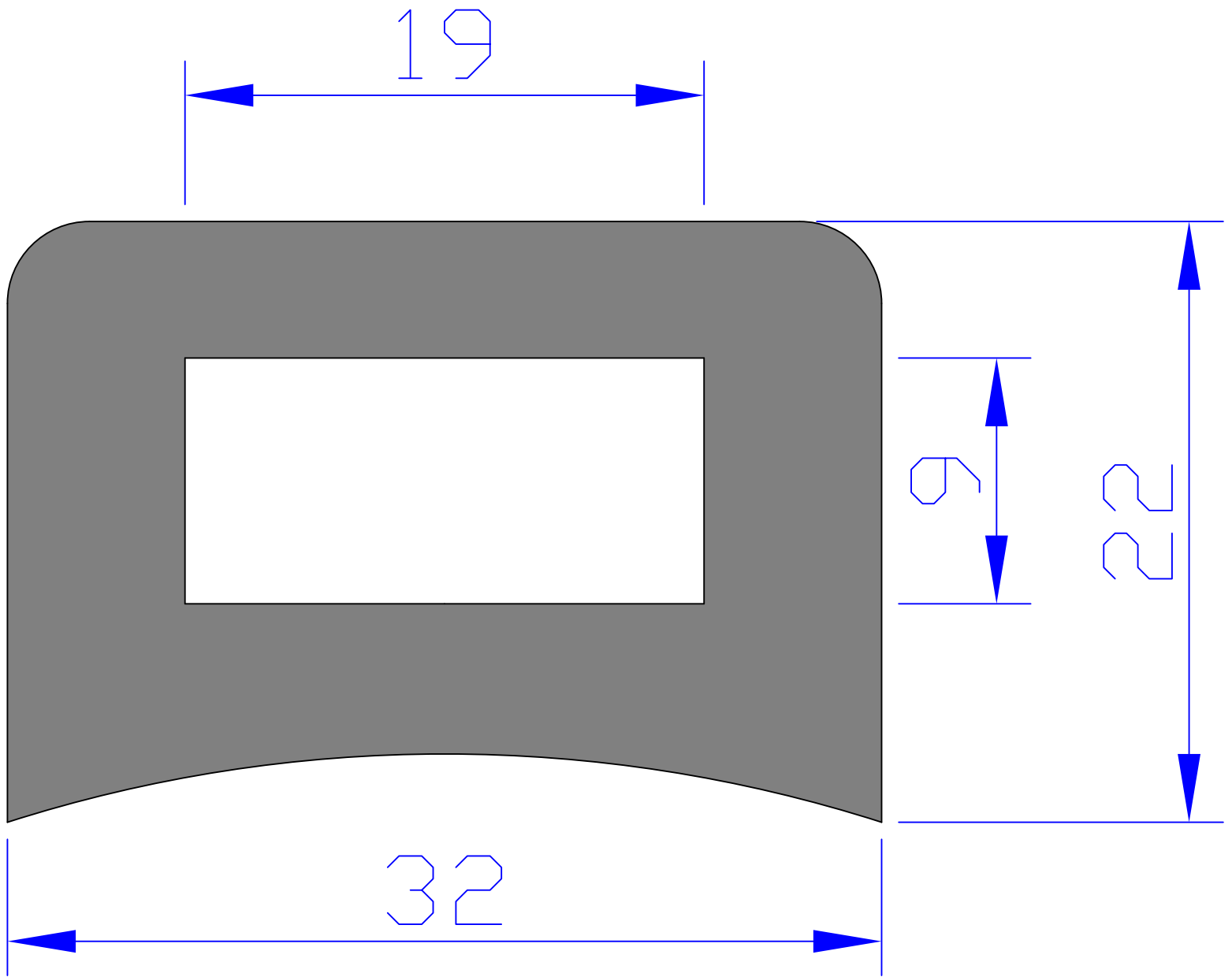
CL4



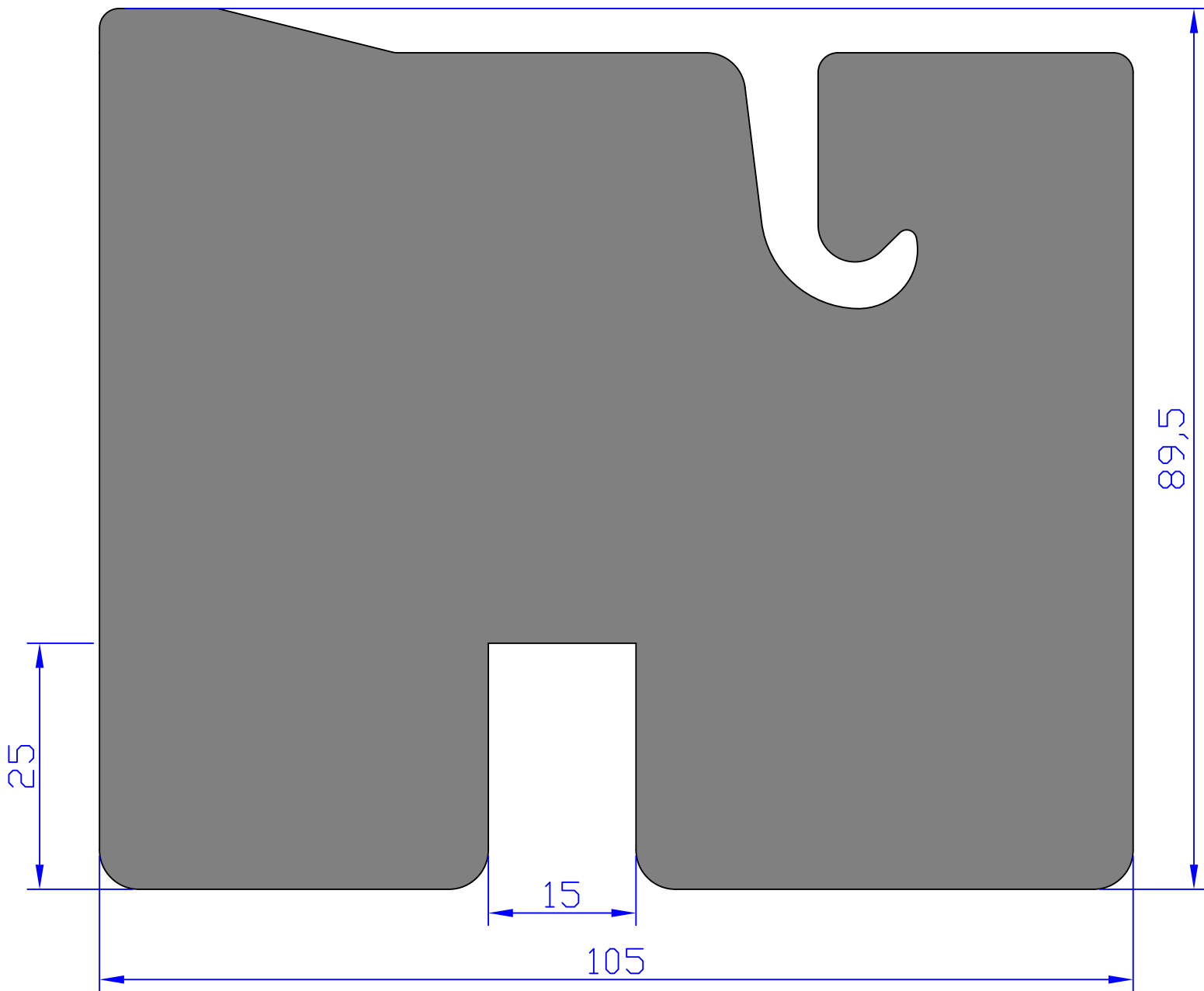
40

26

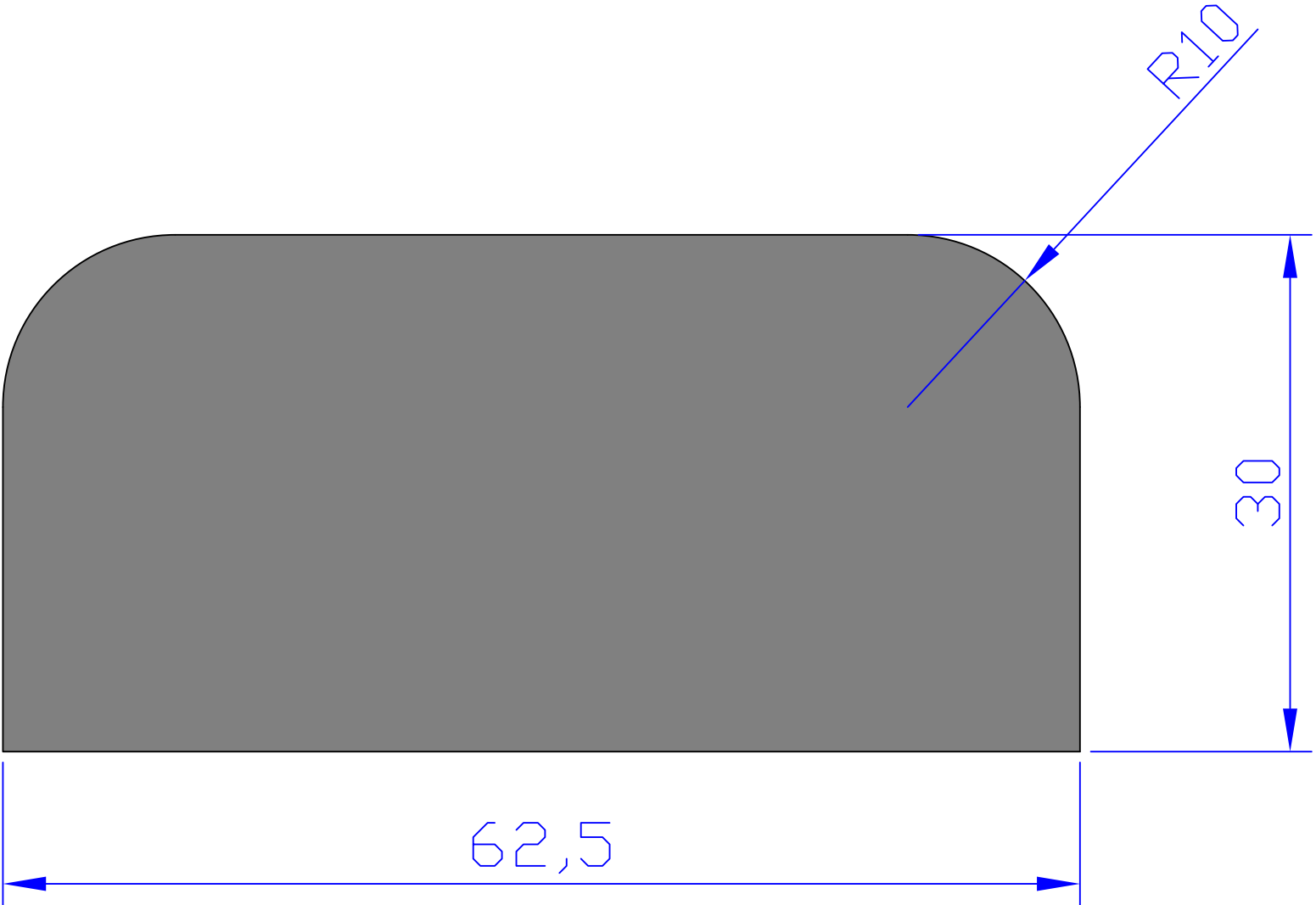
CL4428



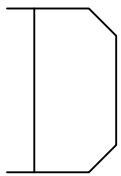
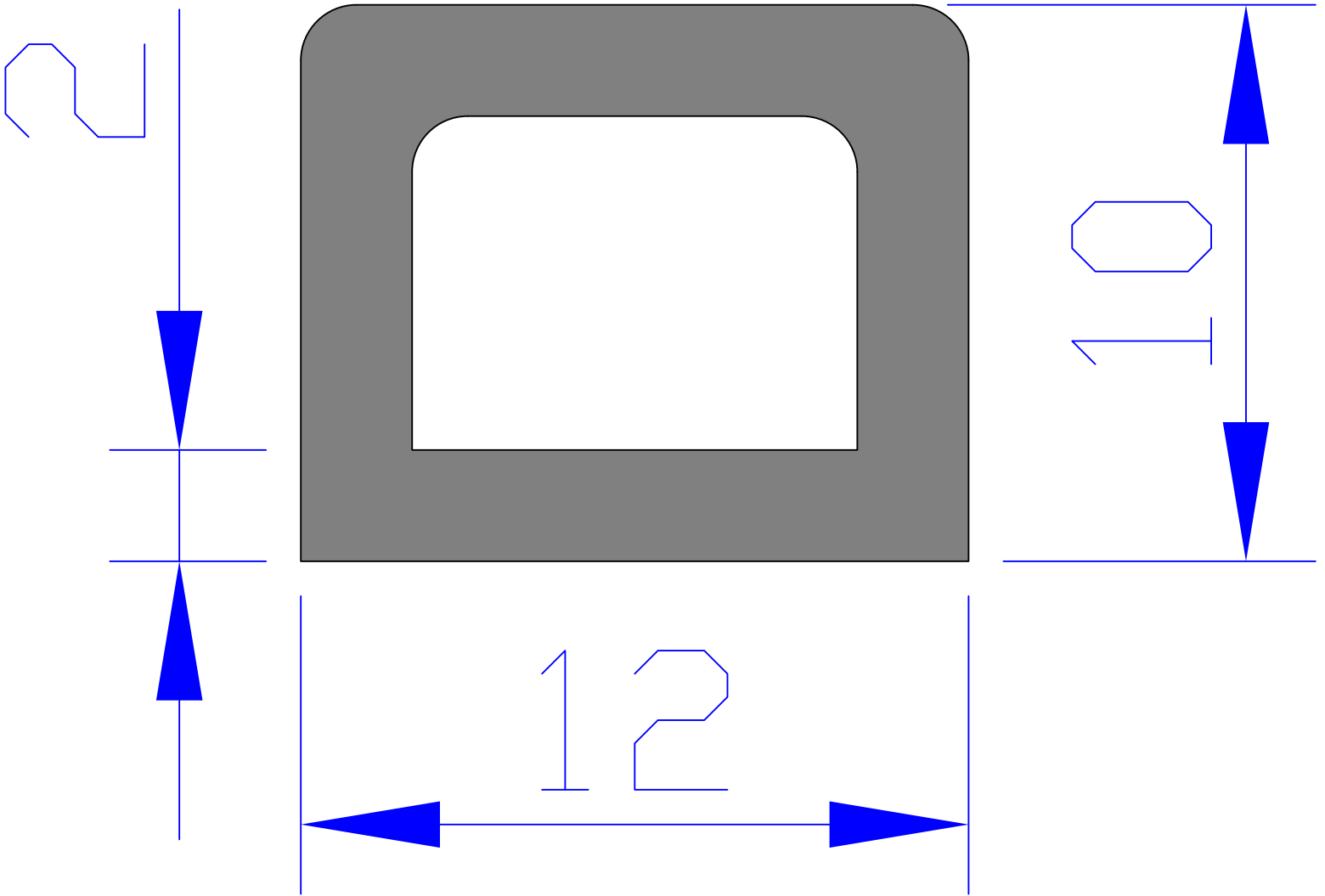
CL4428H



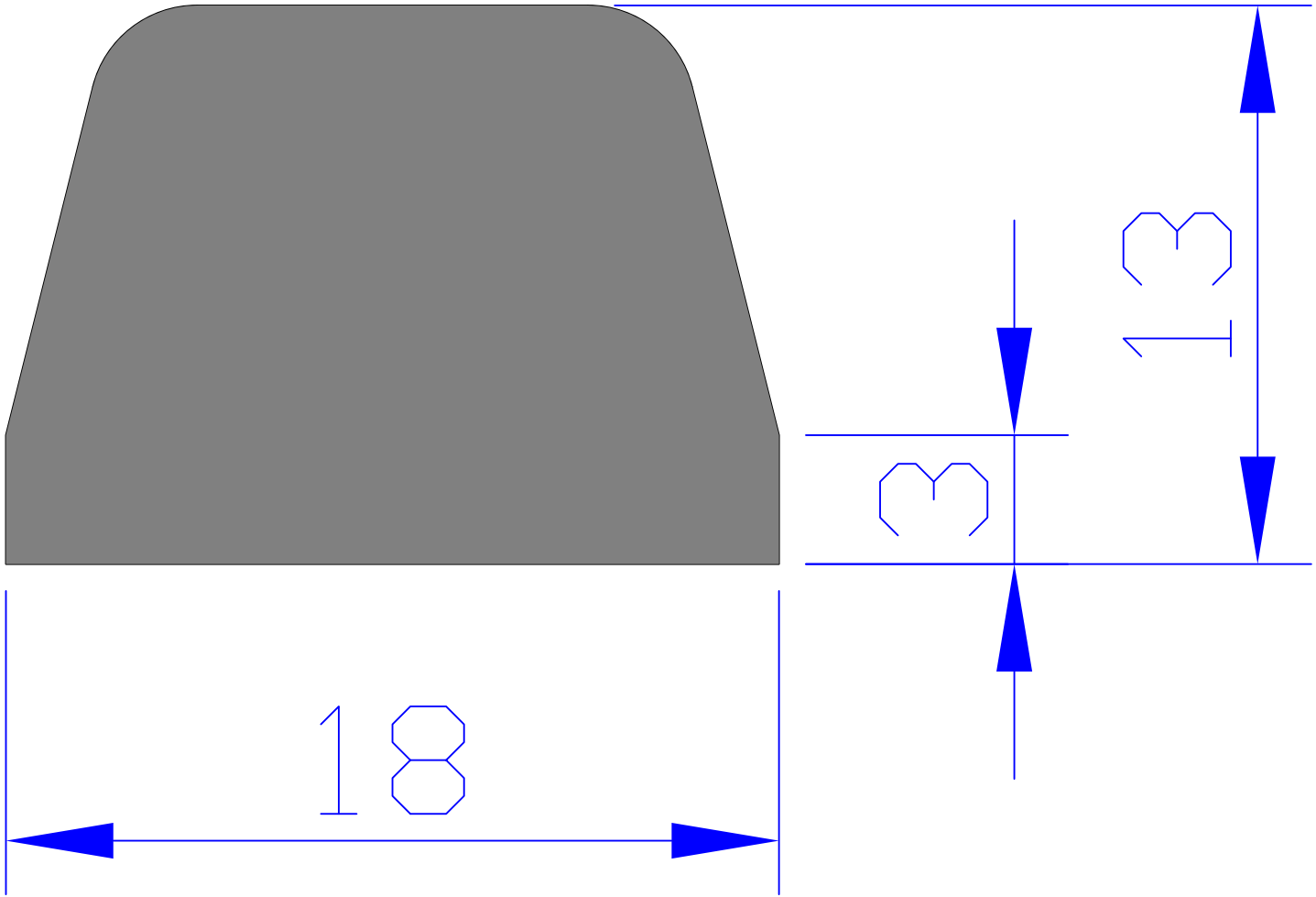
CT105-90



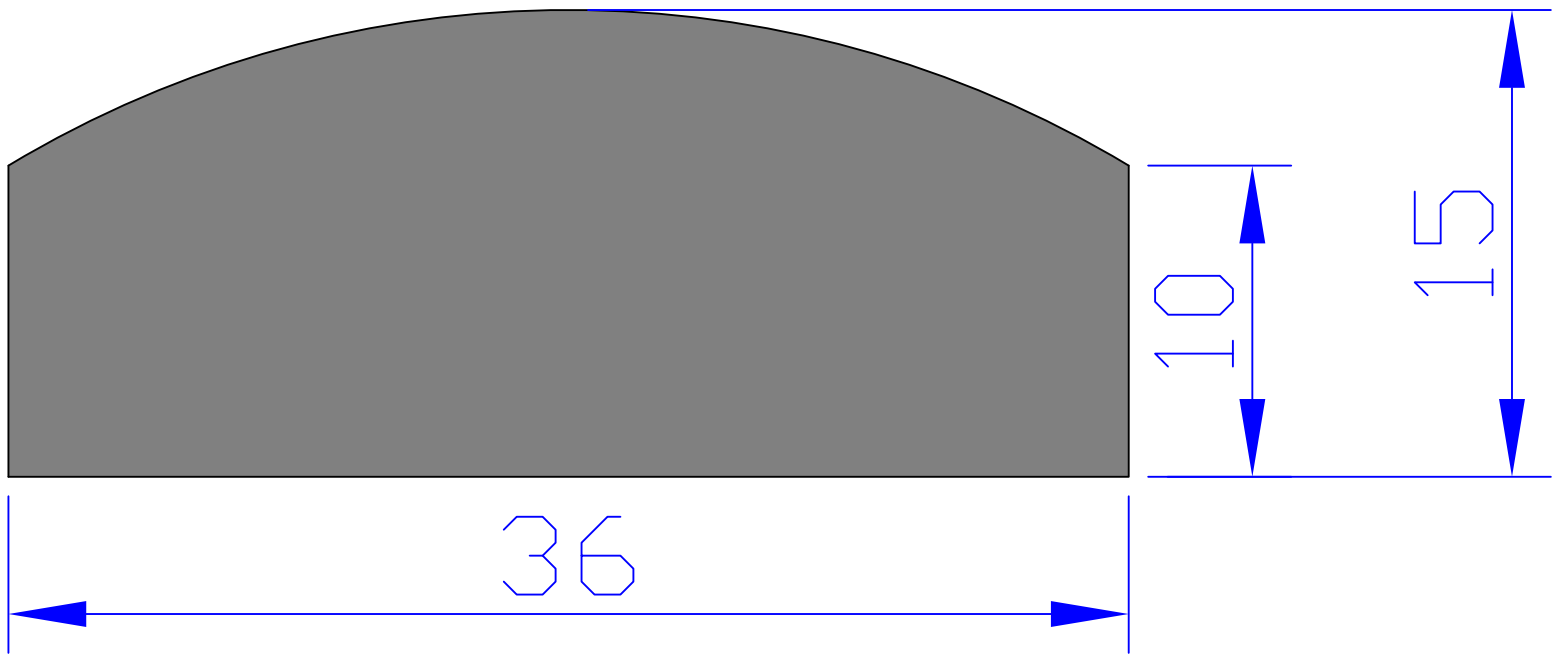
CT6330



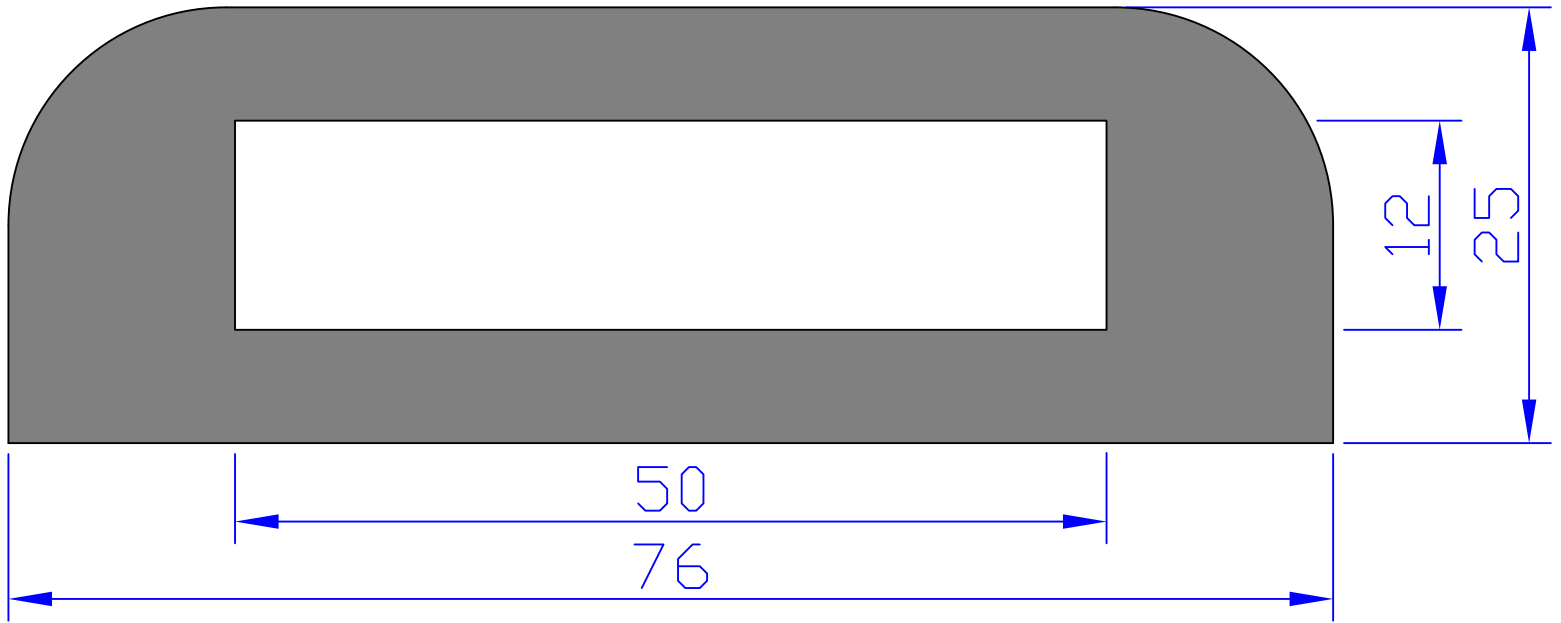
12 10 1



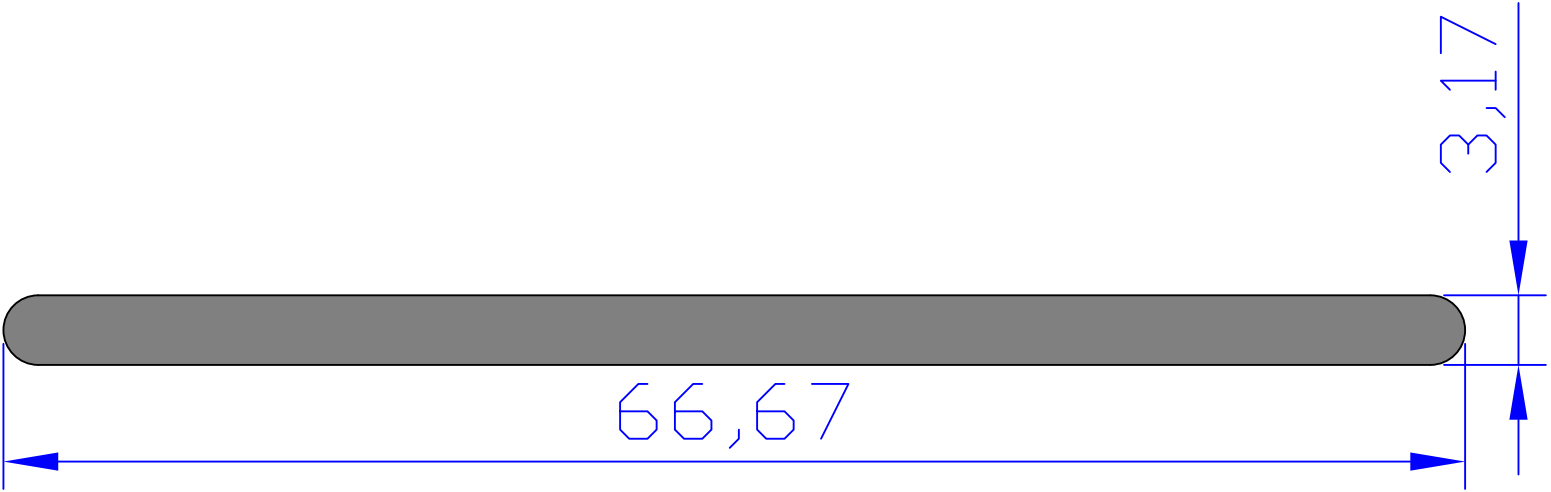
D1813



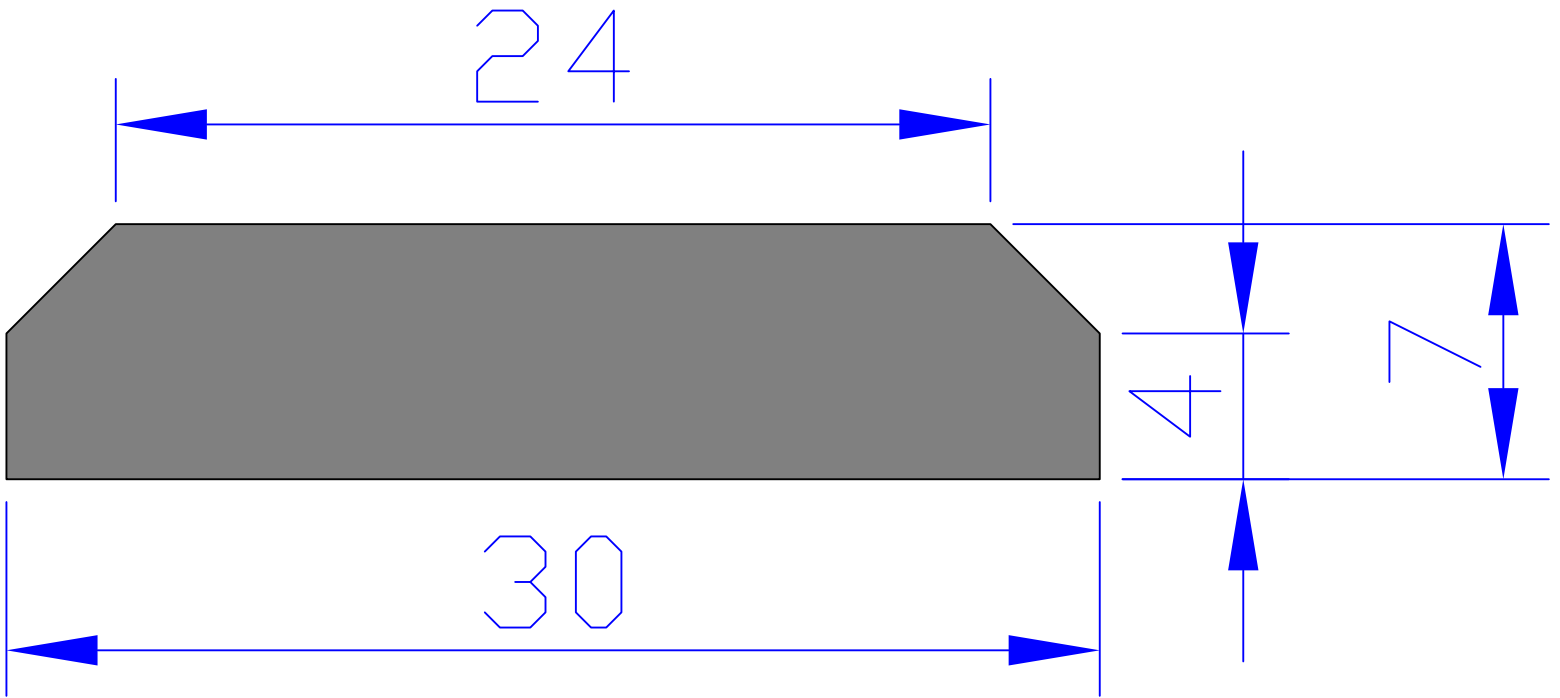
FCS3615



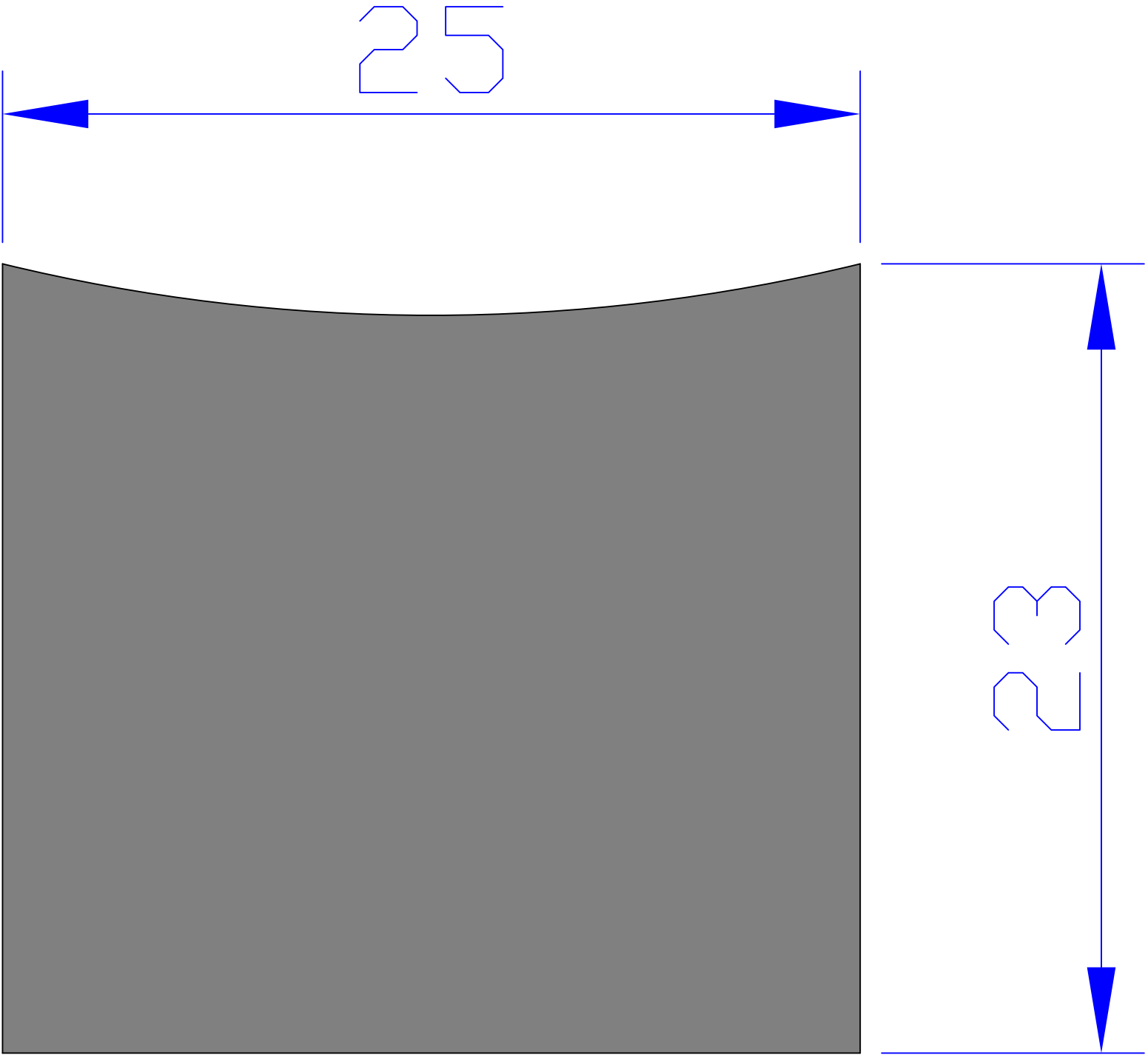
FM7625



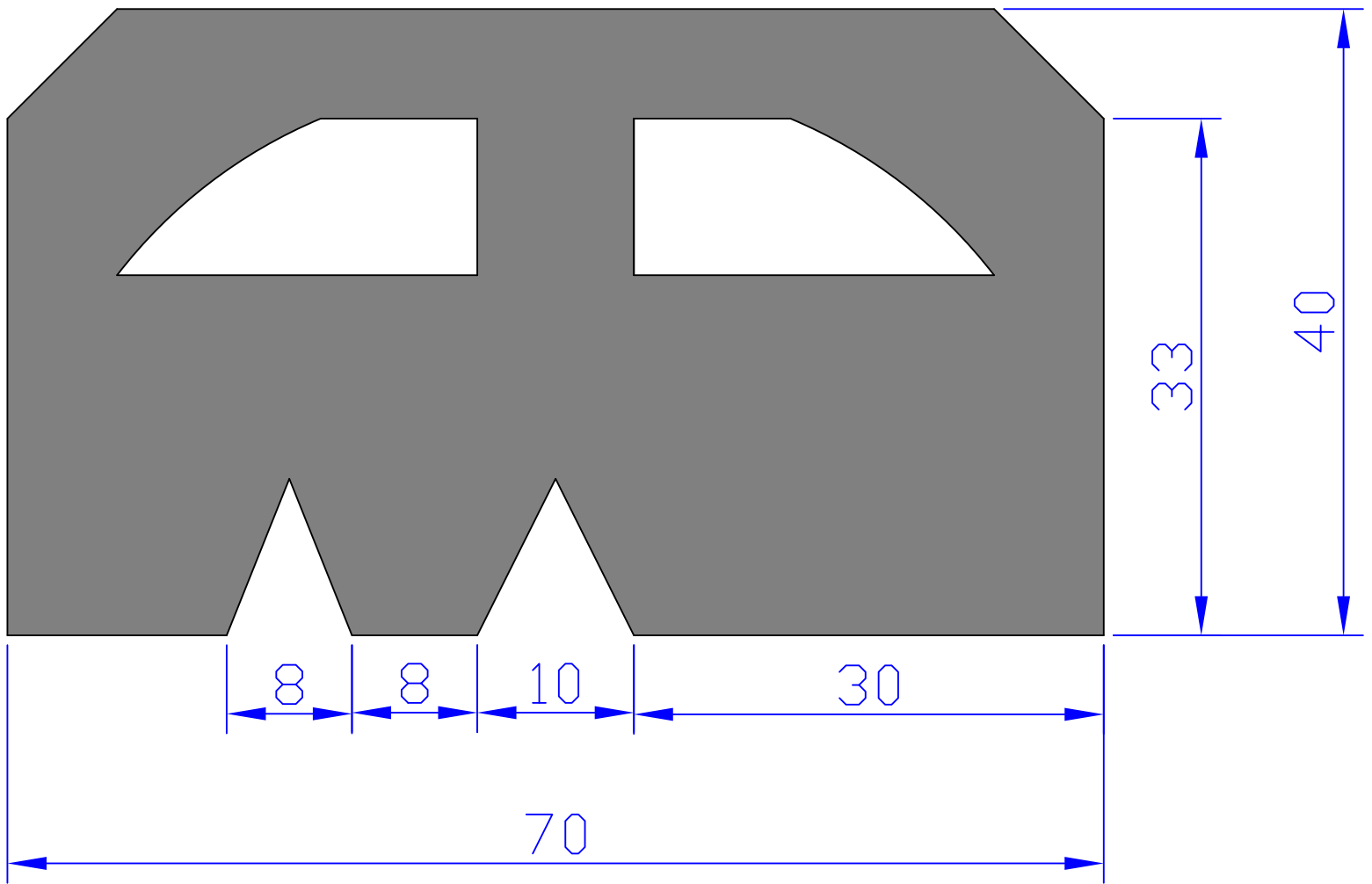
FS6703



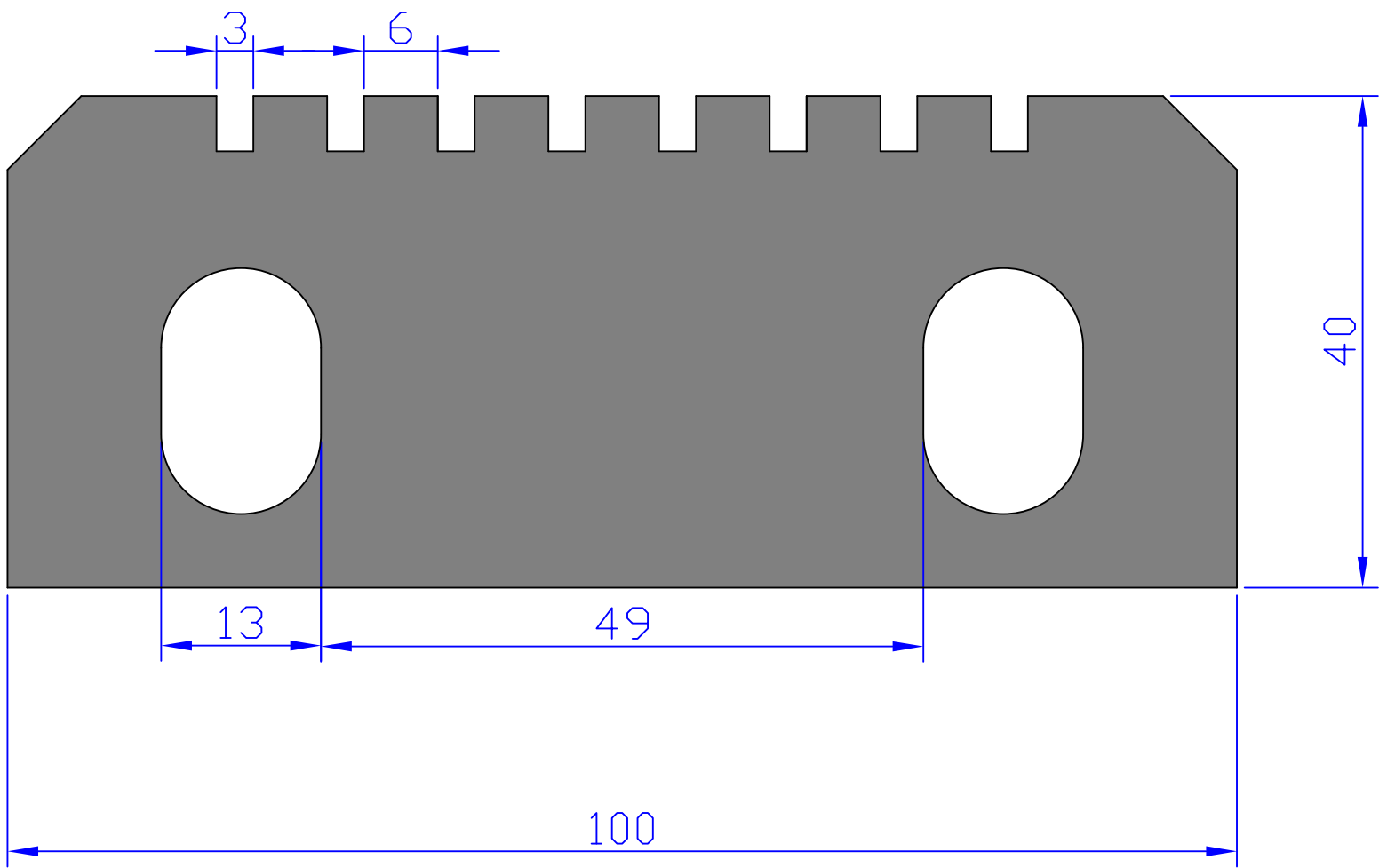
FSC3007



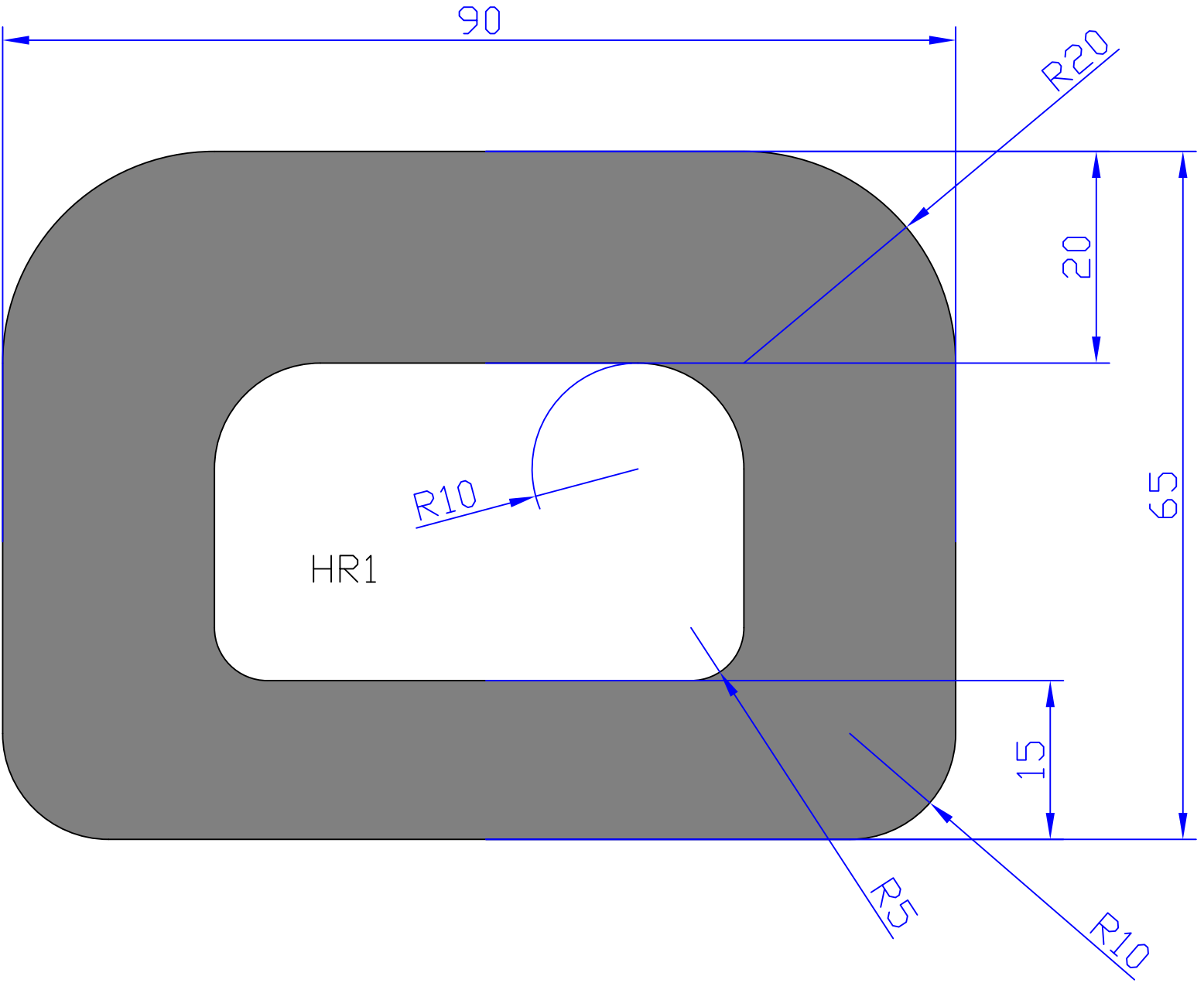
HB2523

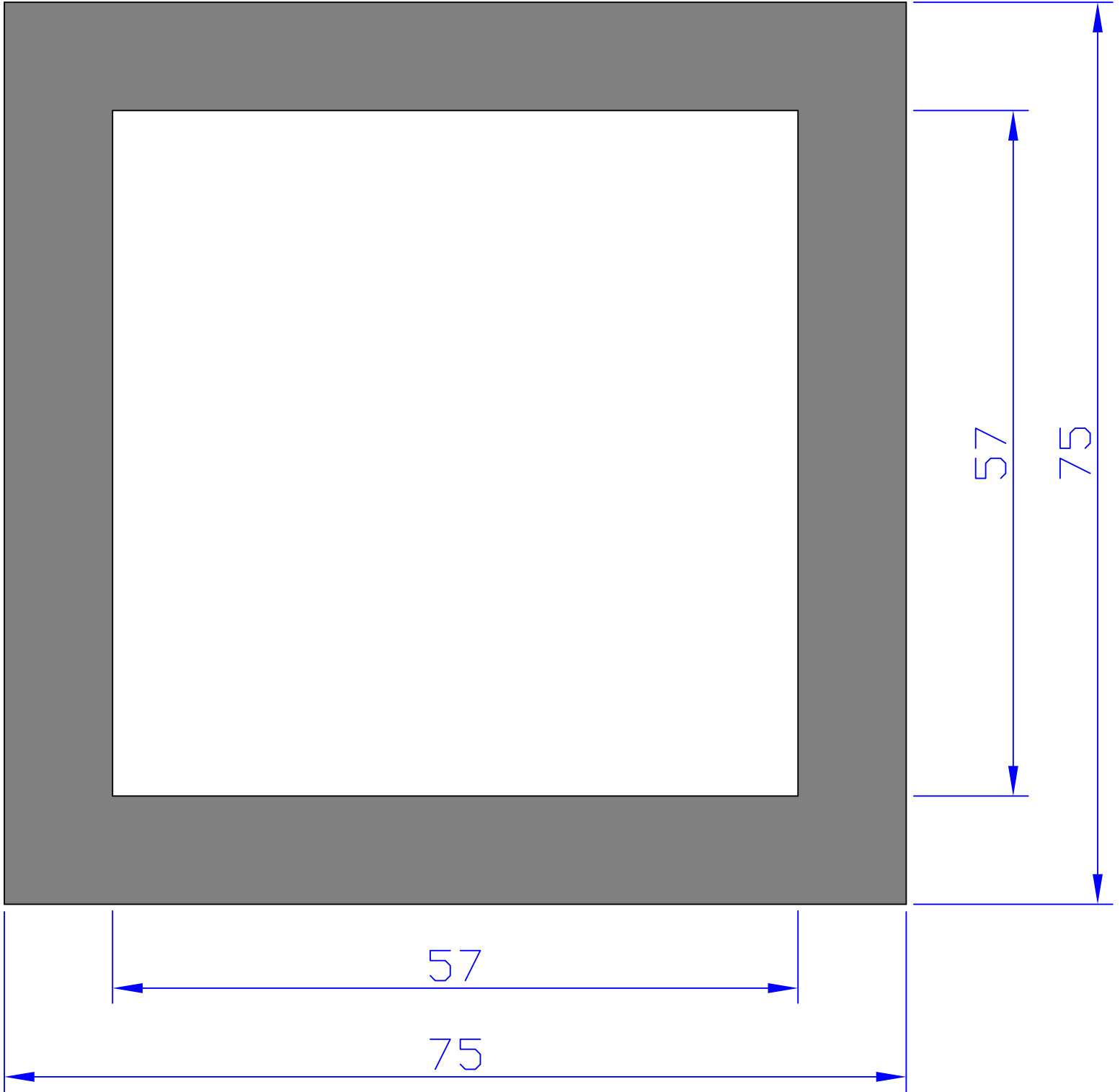


HB7040

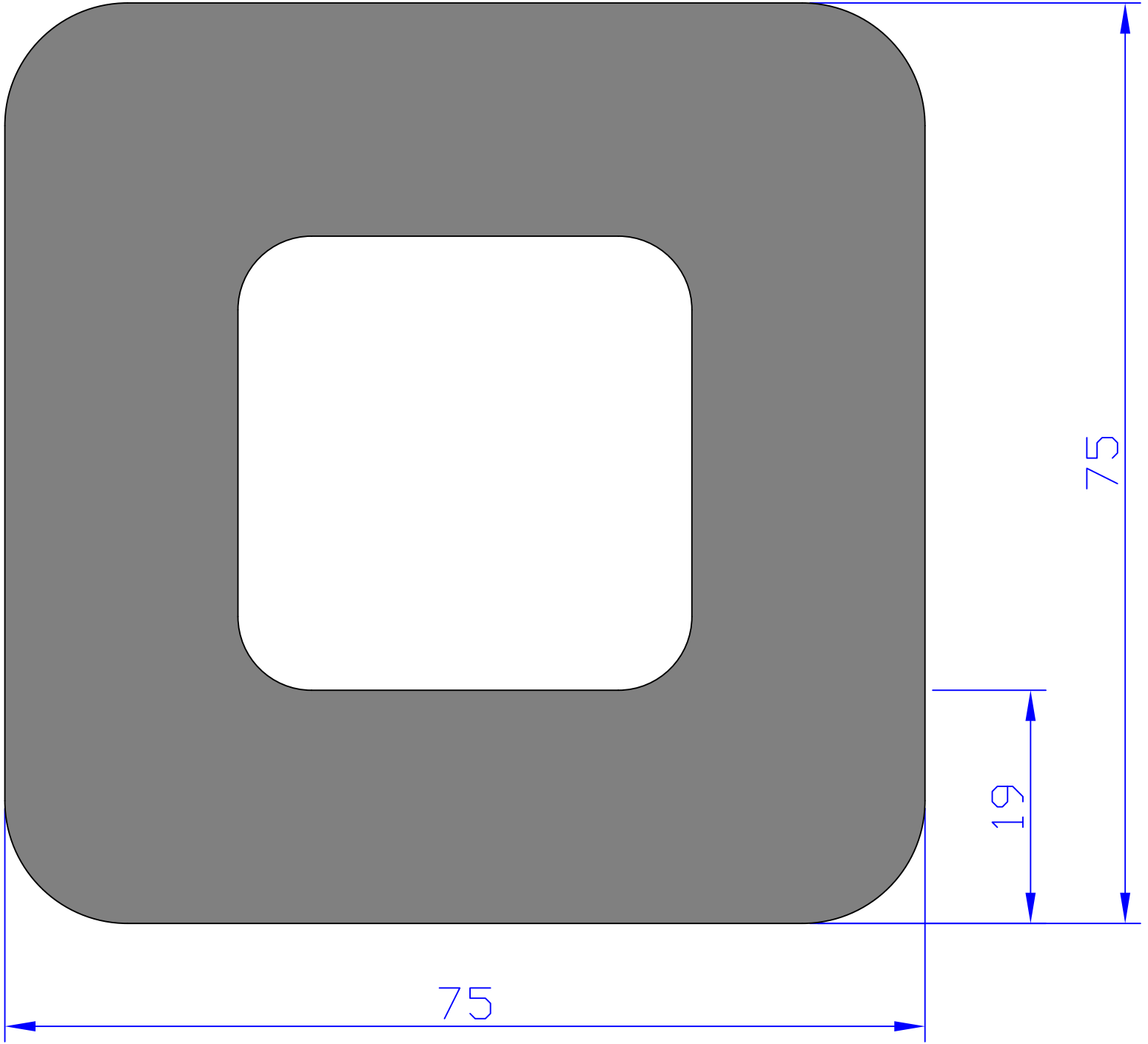


HE10040

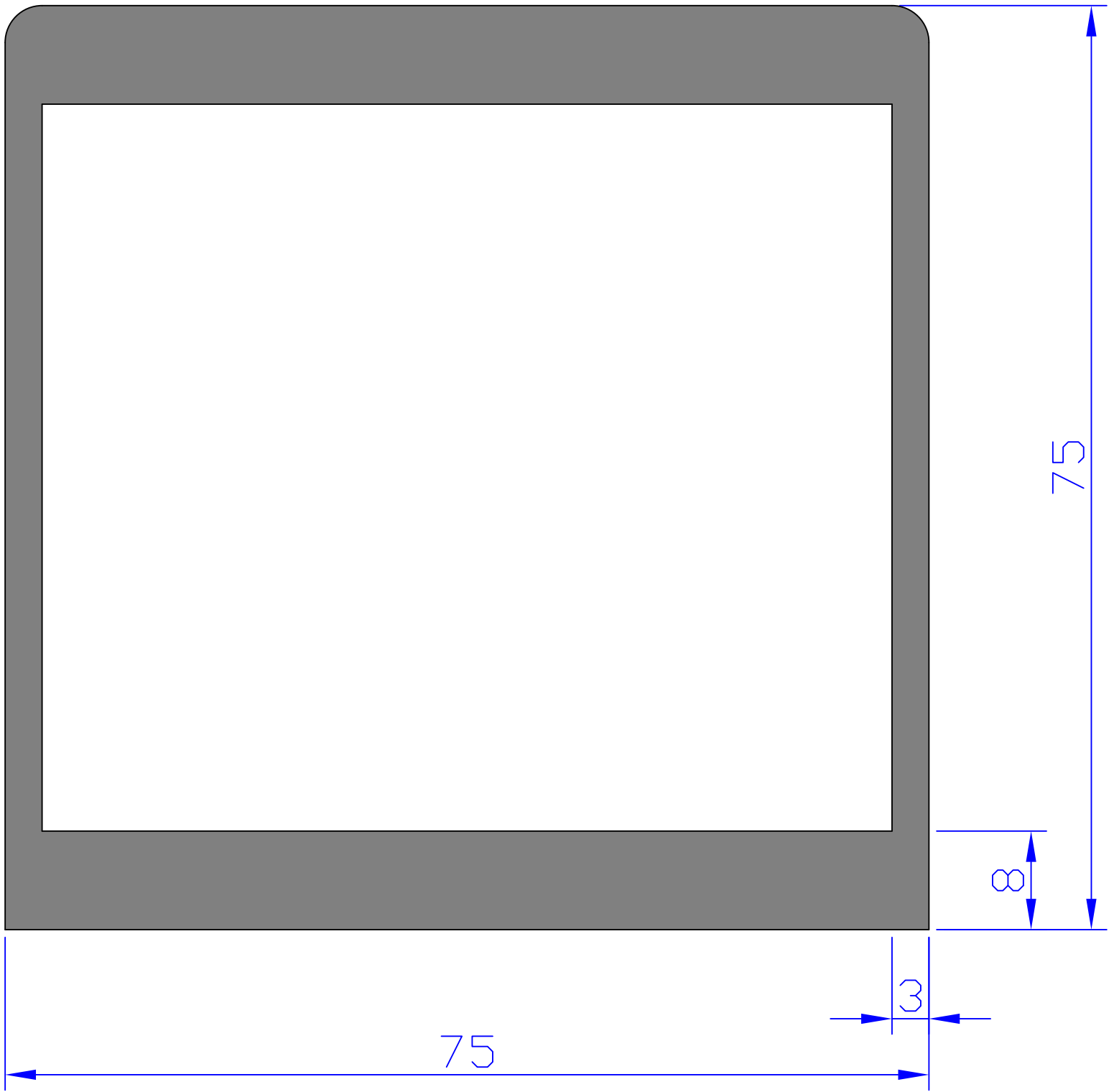




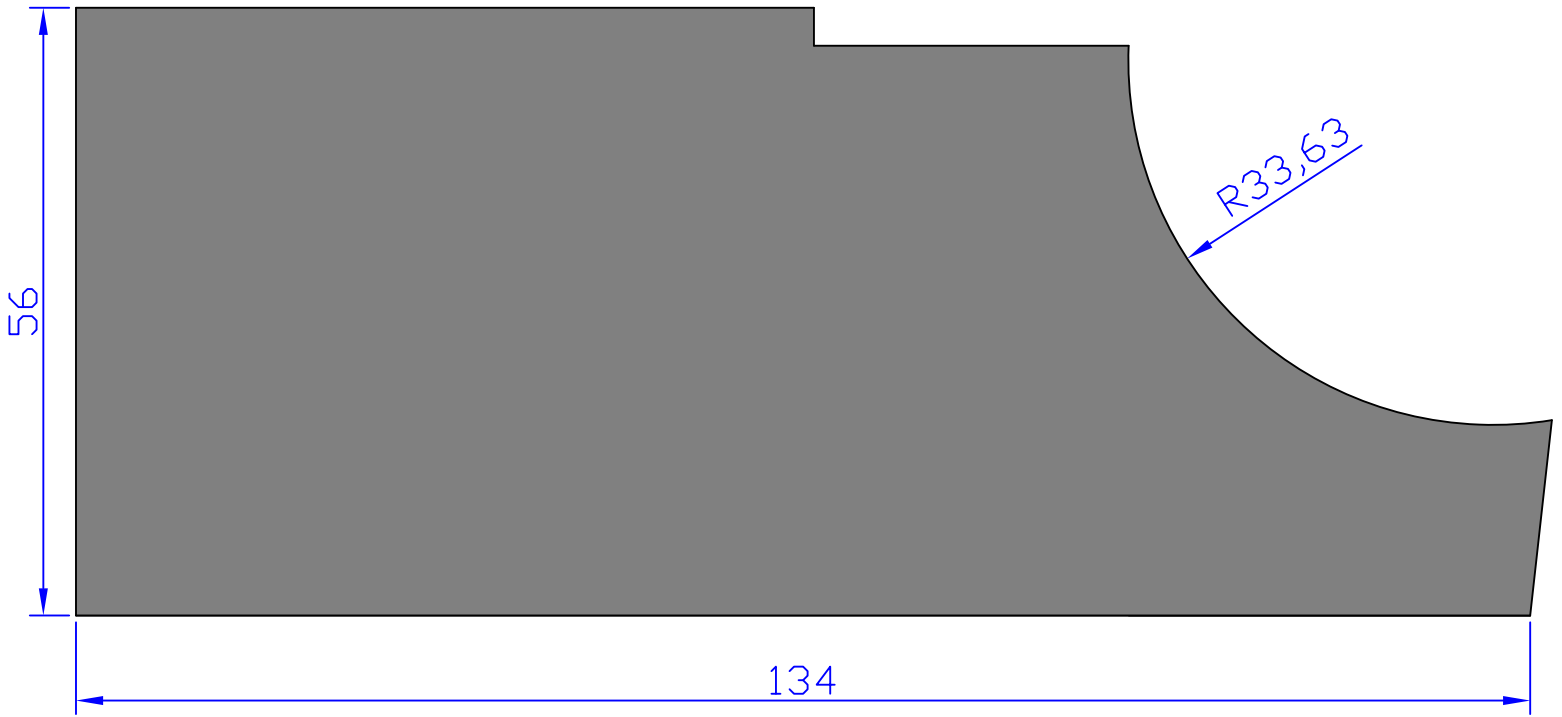
HS7575



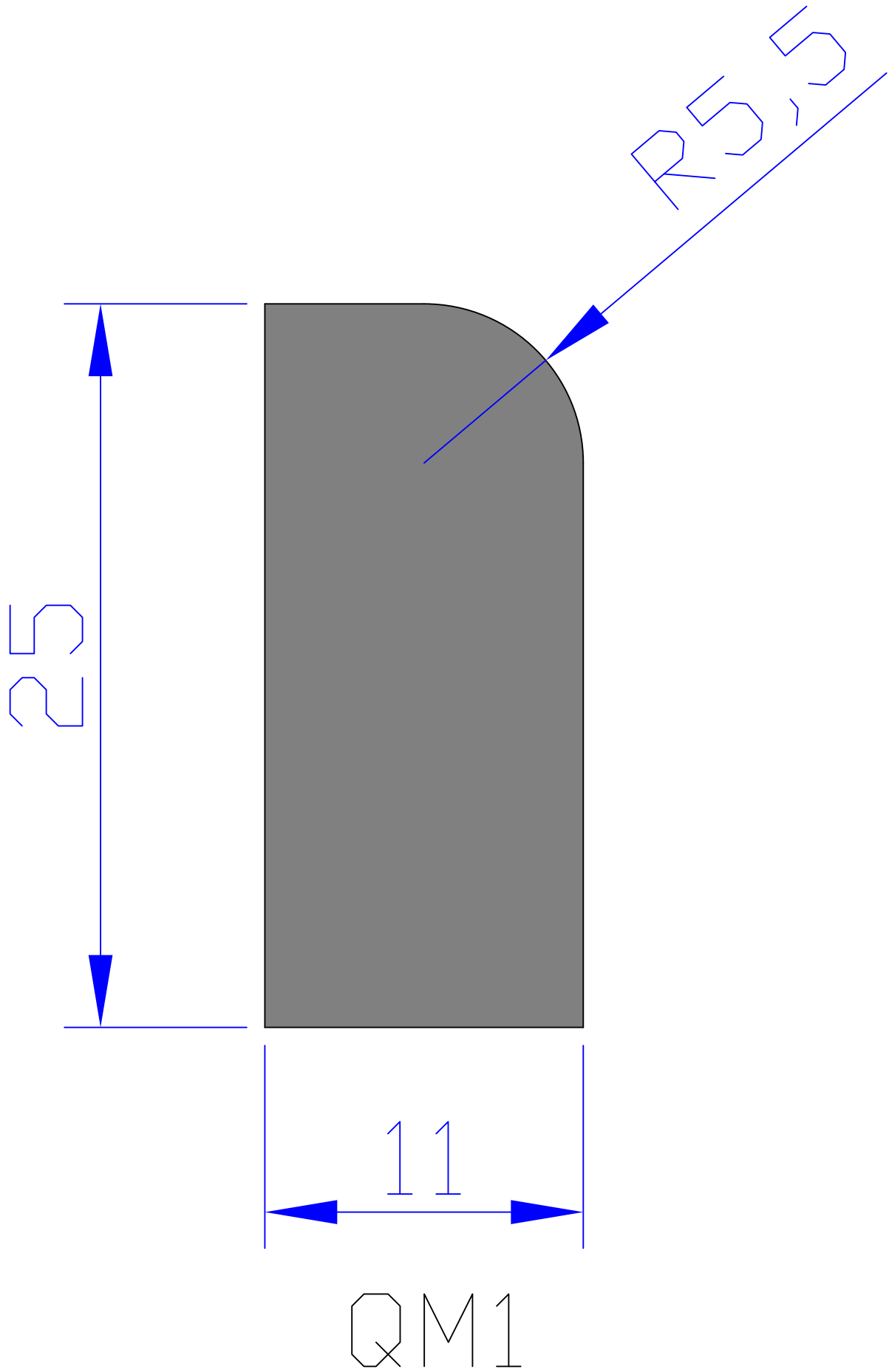
HS7575/19

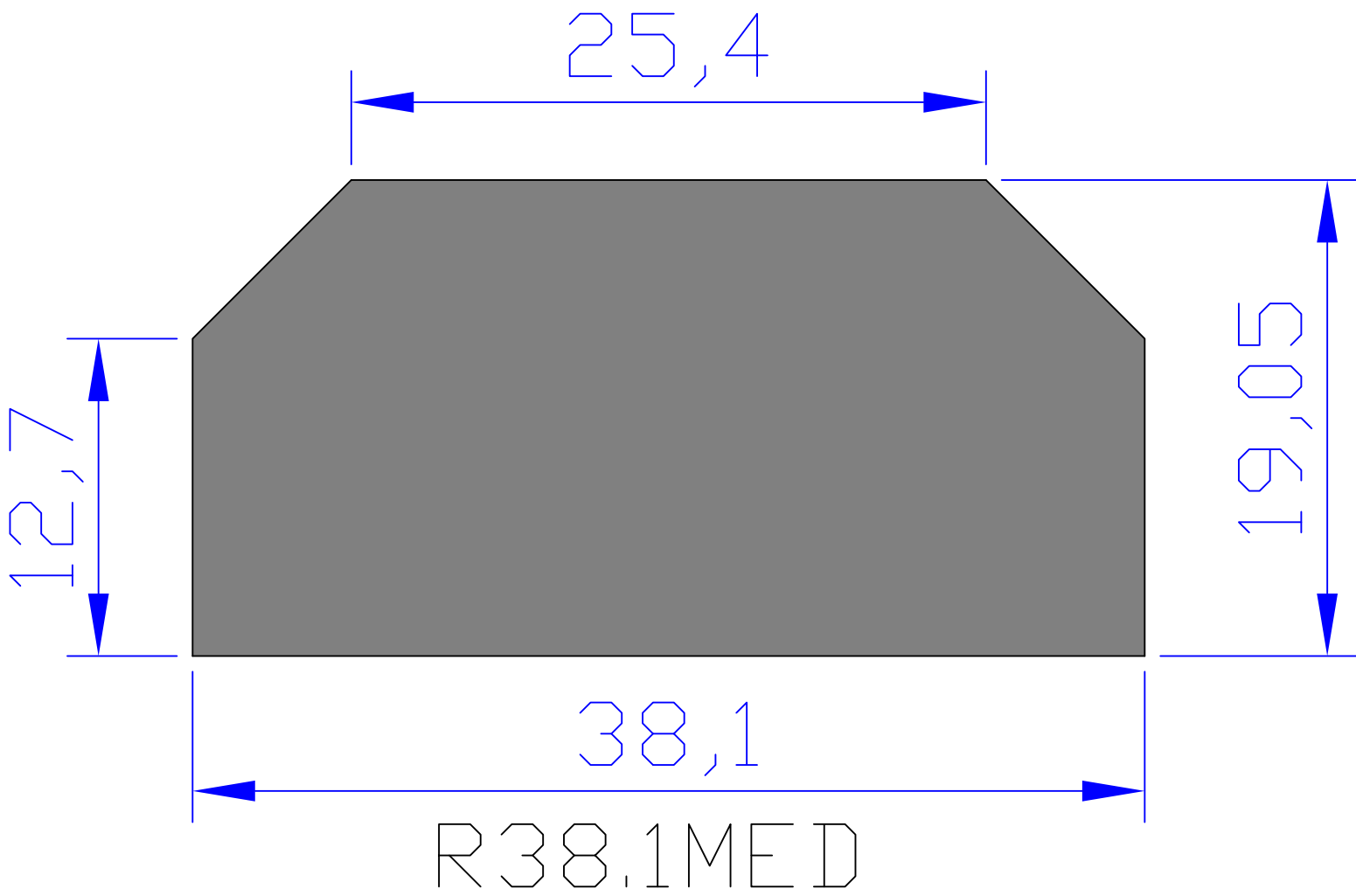


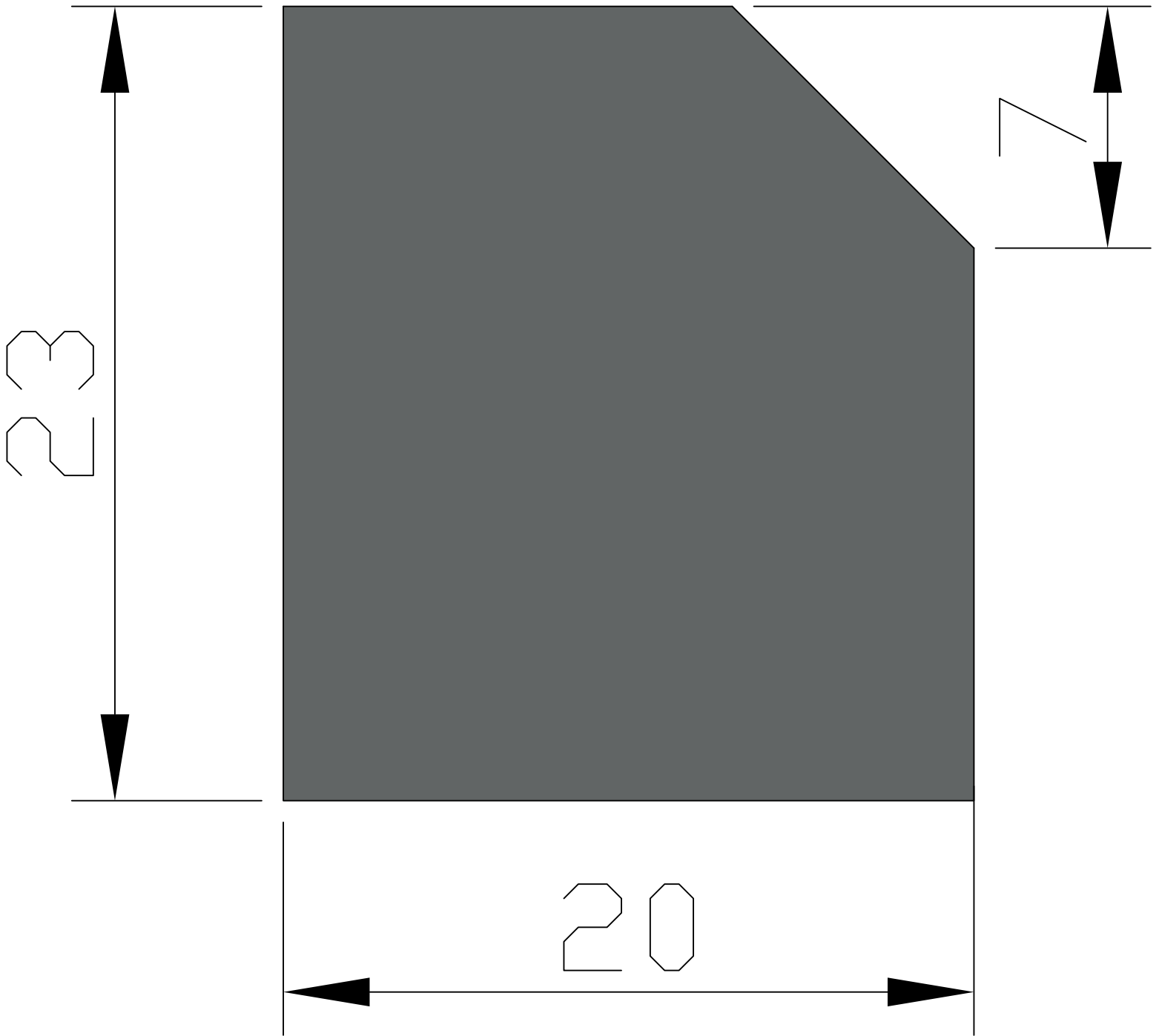
HS7575/SP



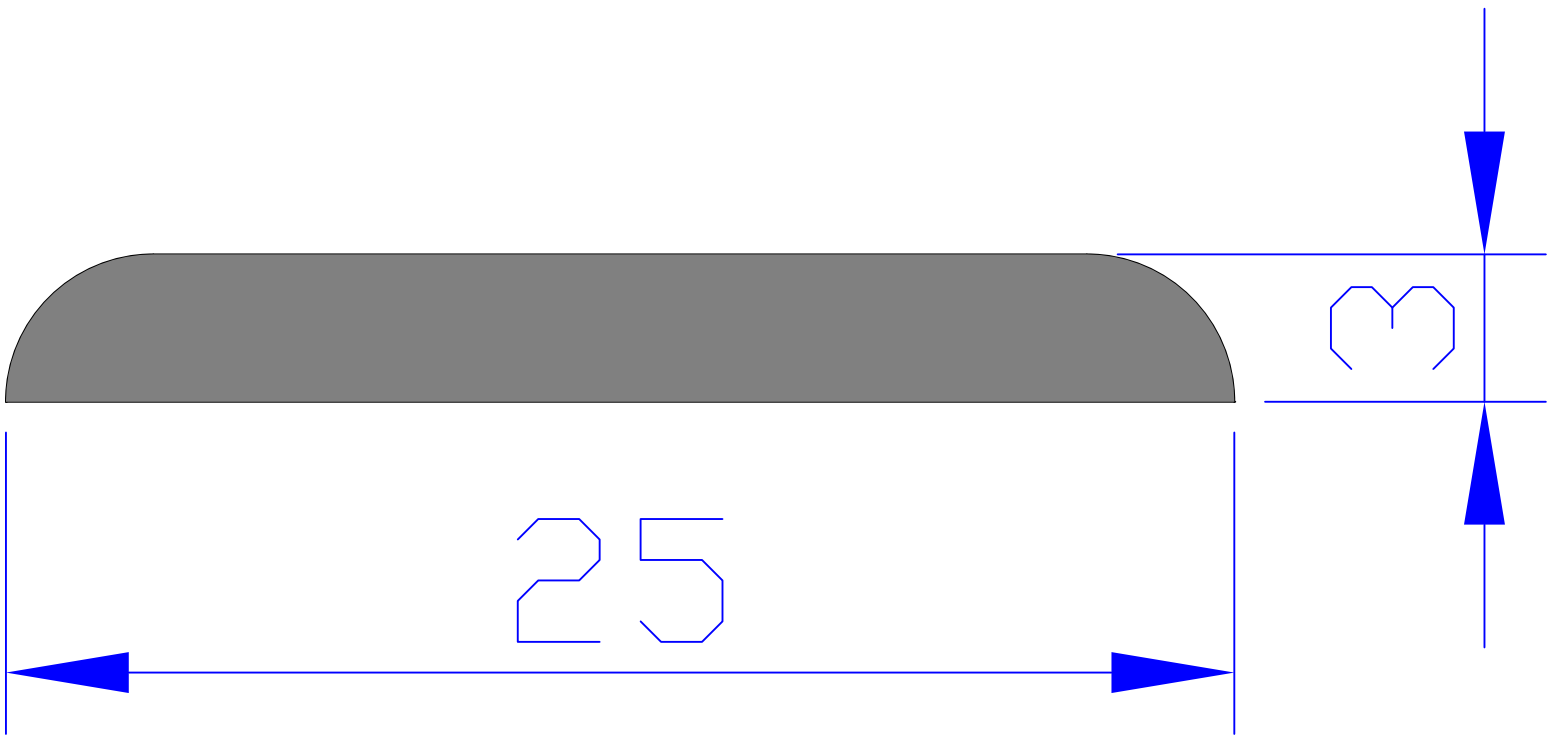
MN56/1



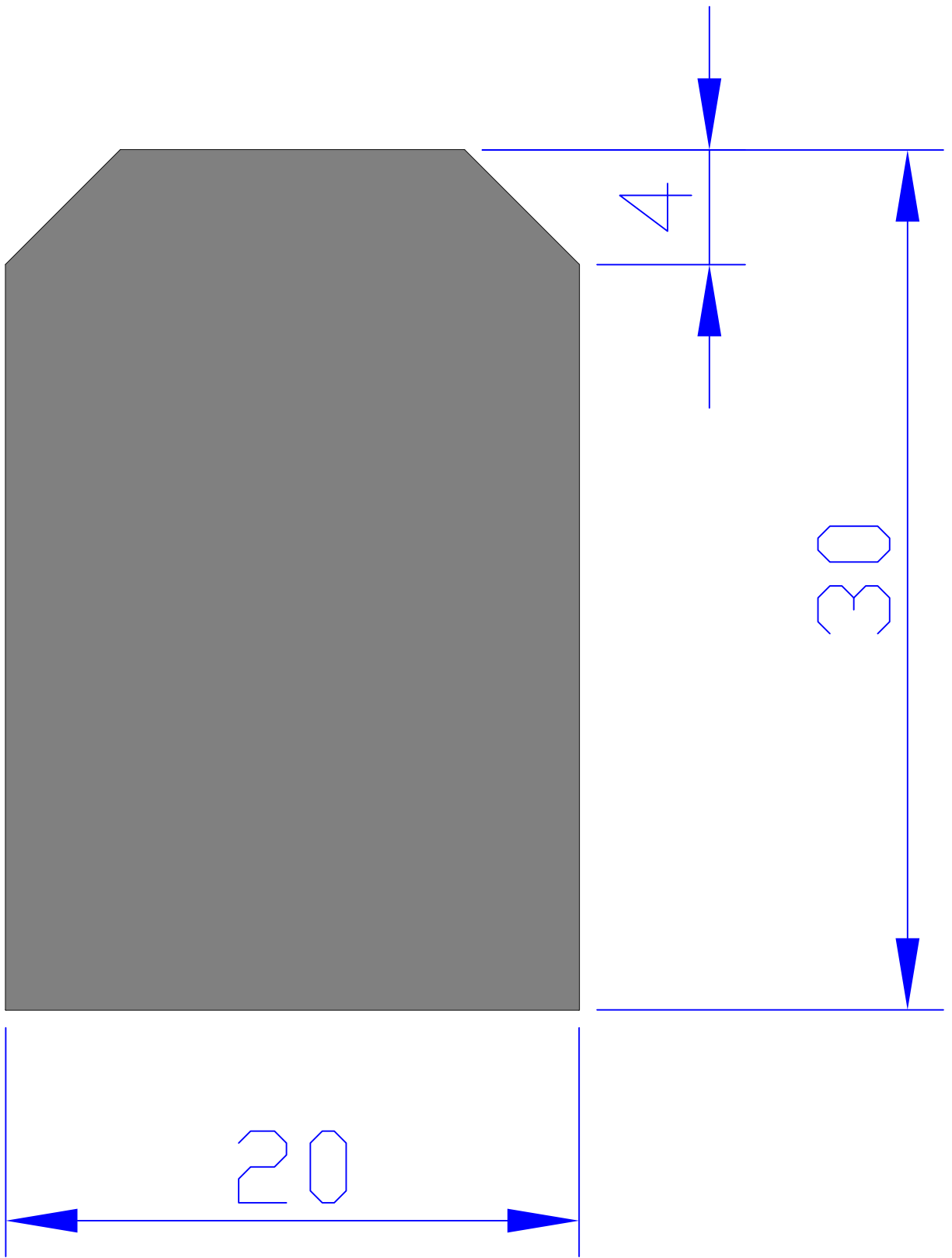




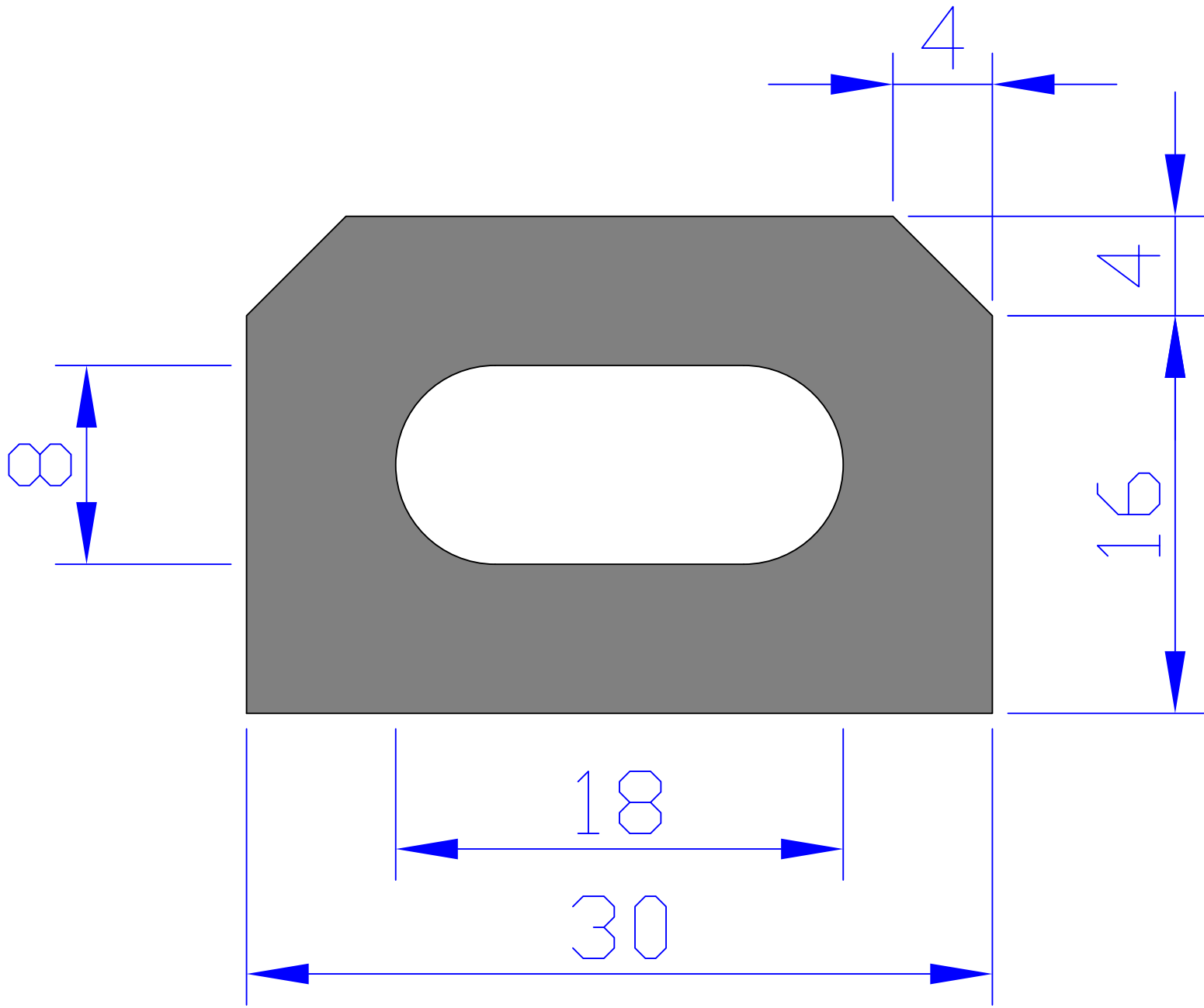
R2320/7



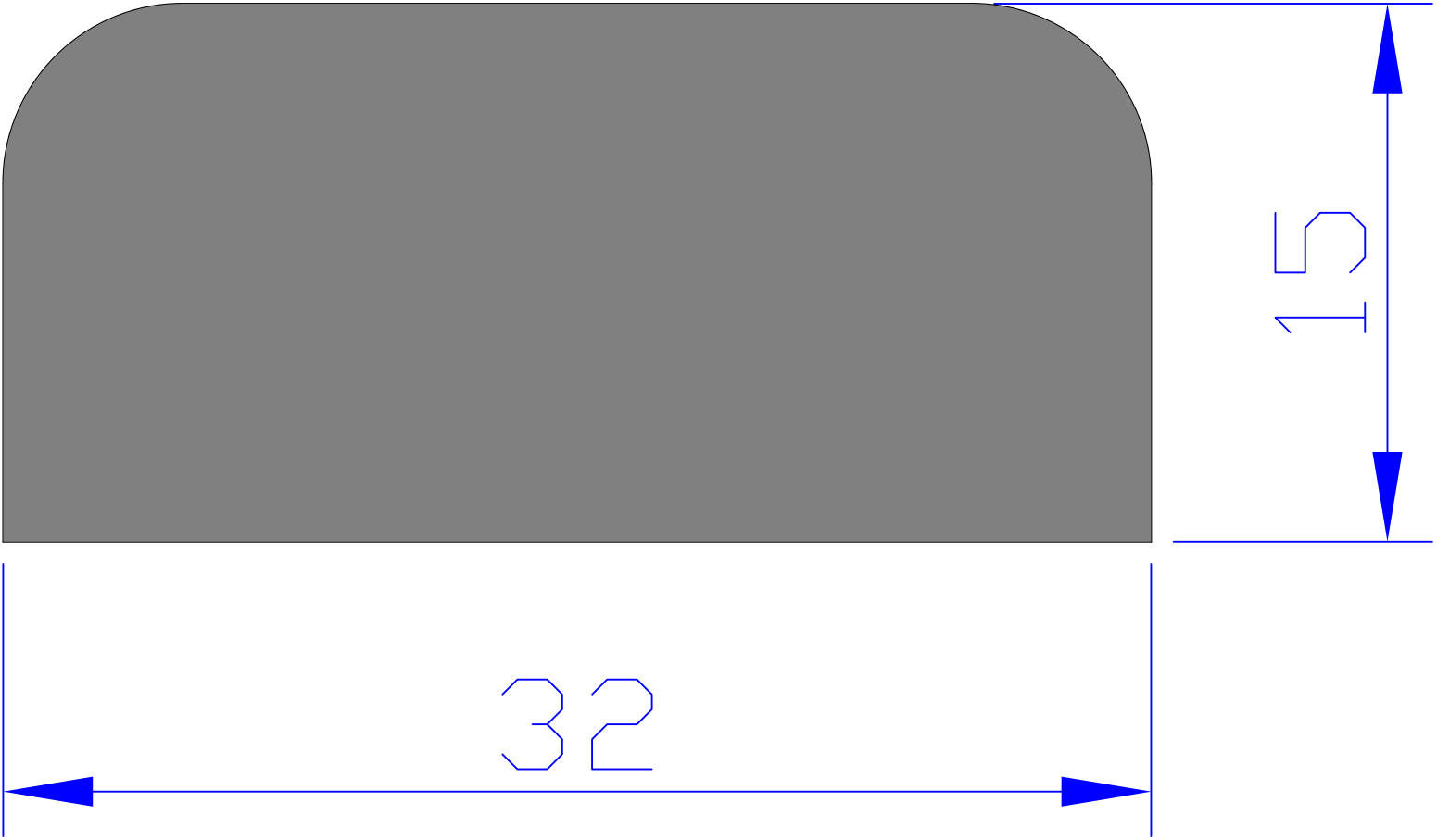
R2503



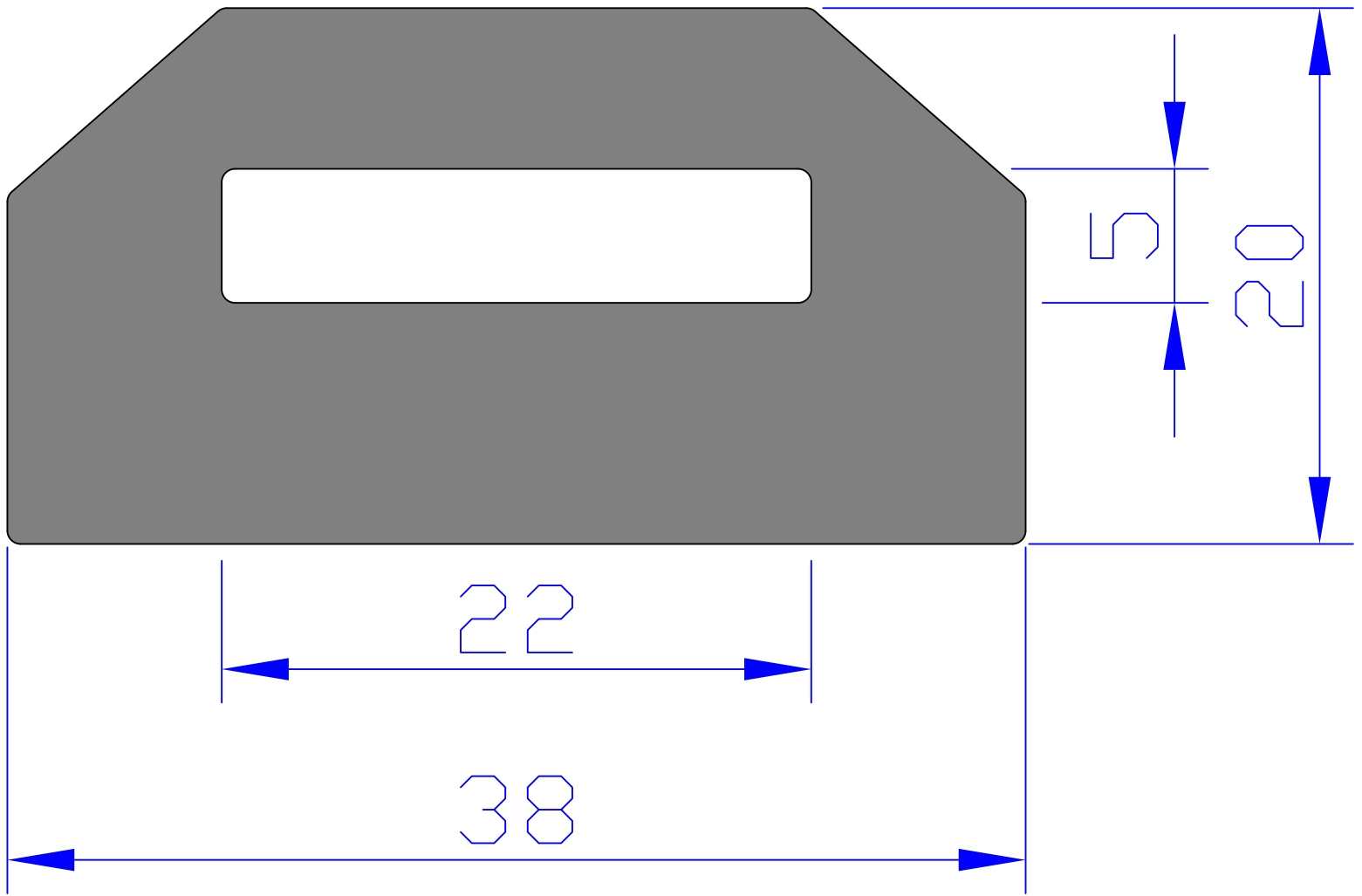
R3020



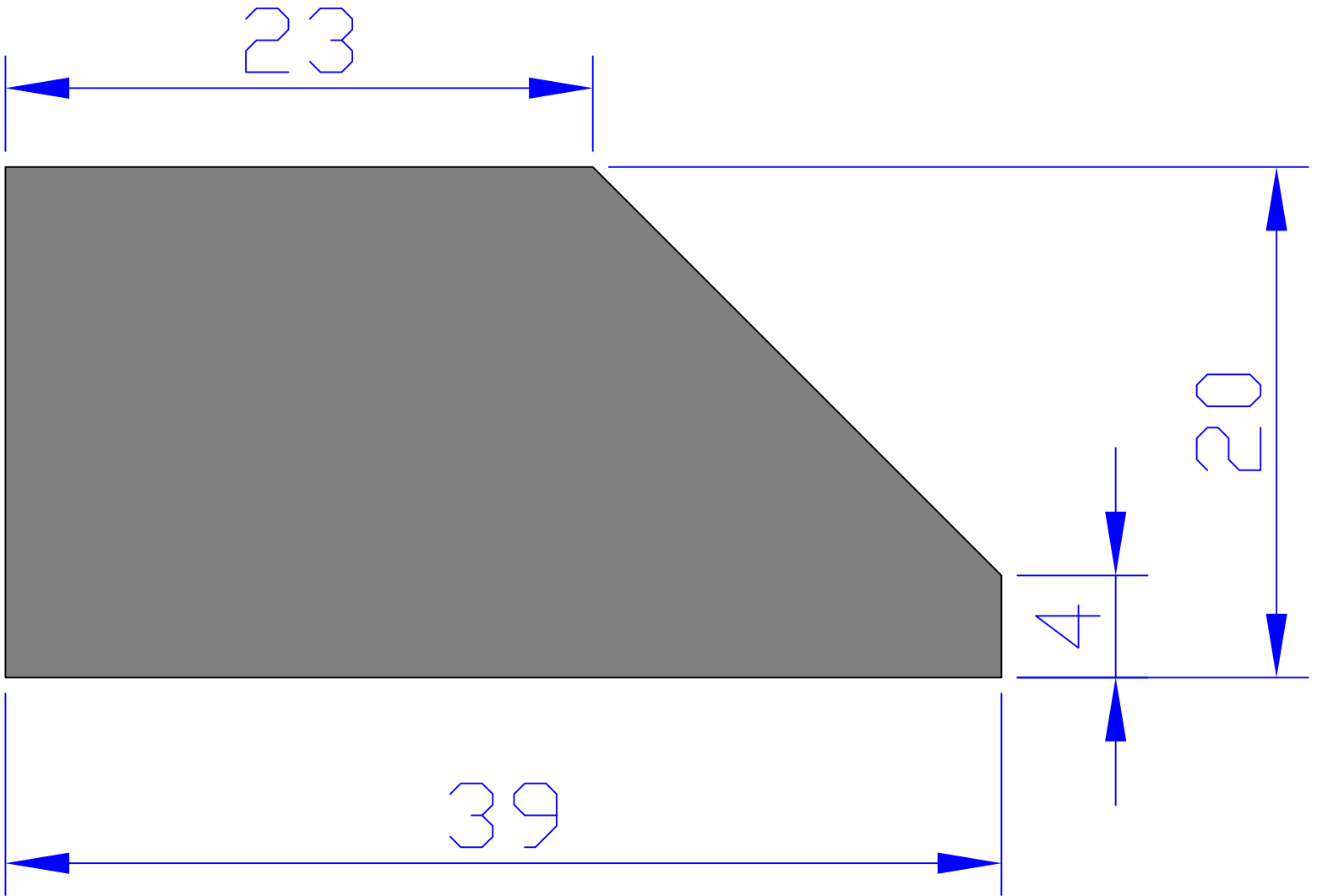
R3020/H



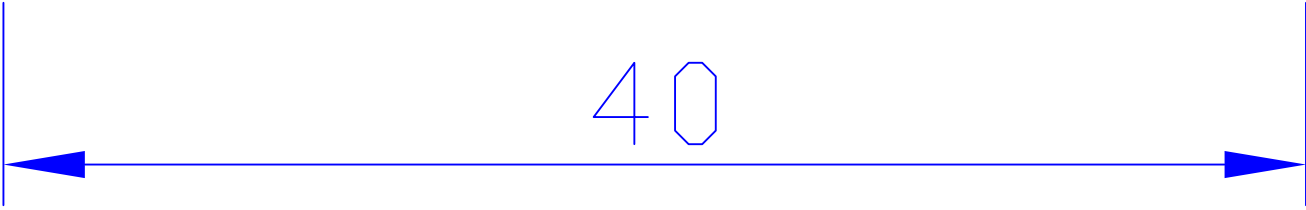
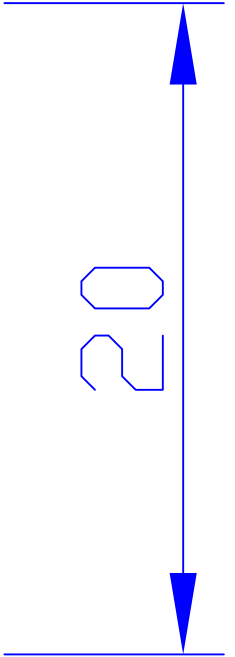
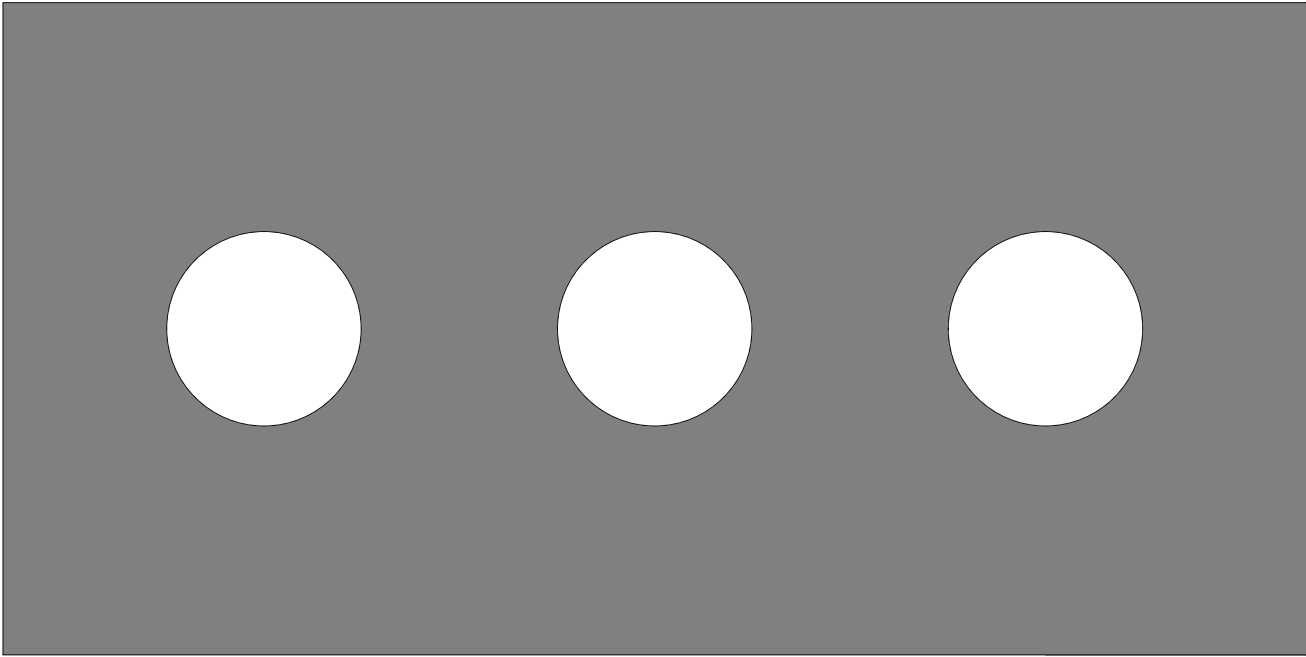
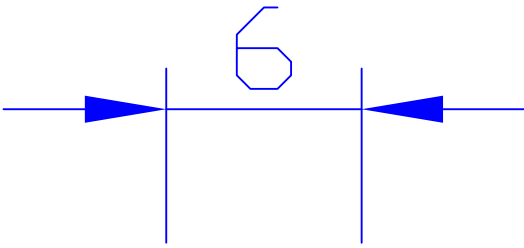
R3215



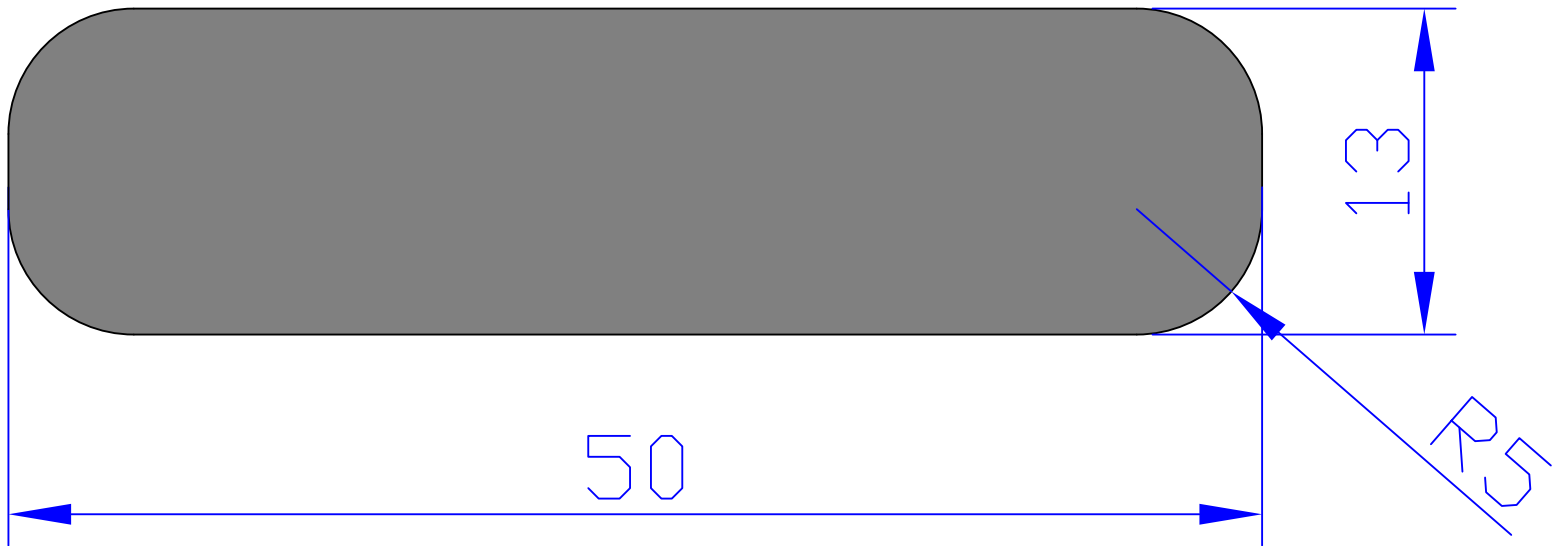
R3820T



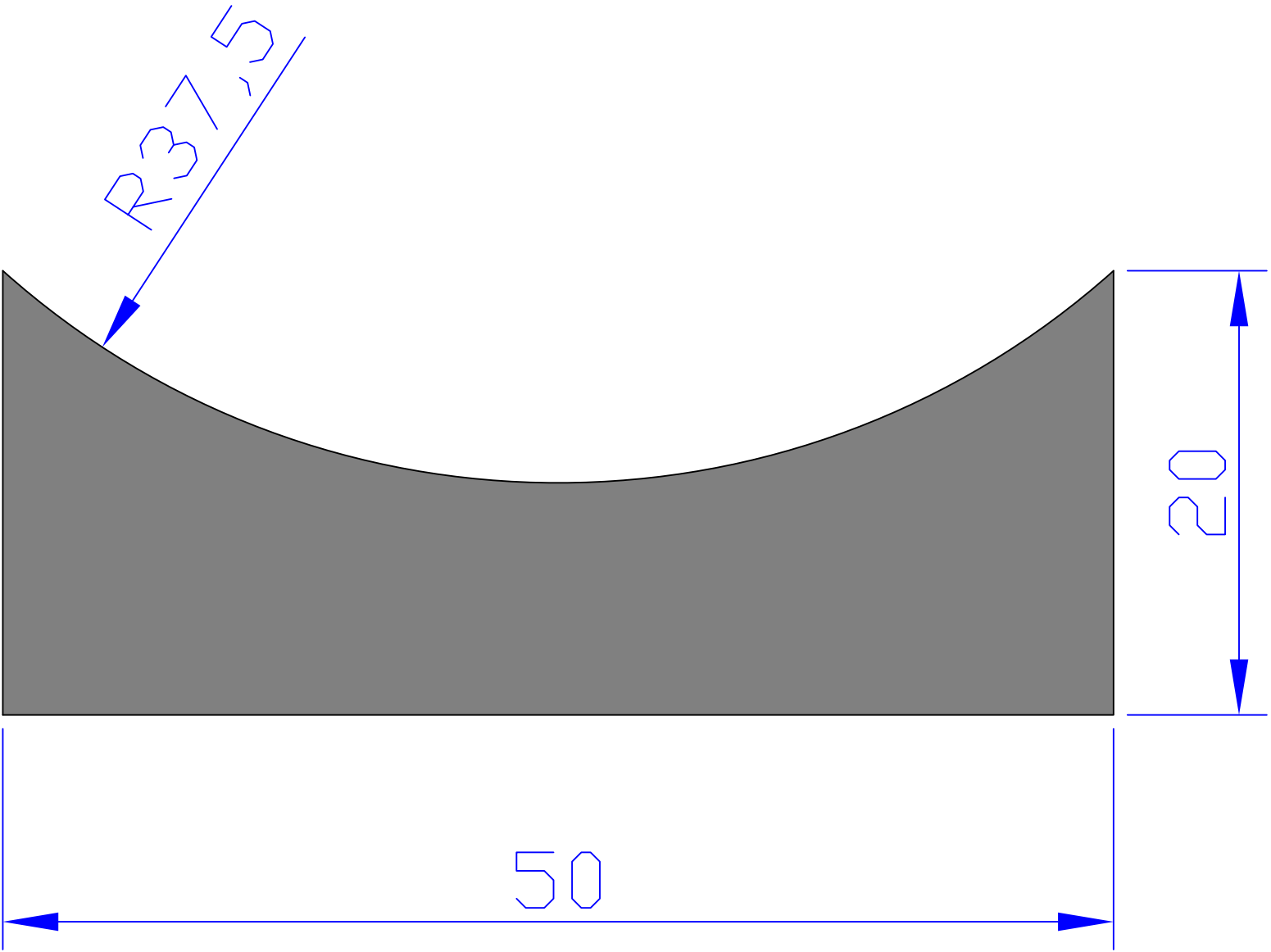
R3920



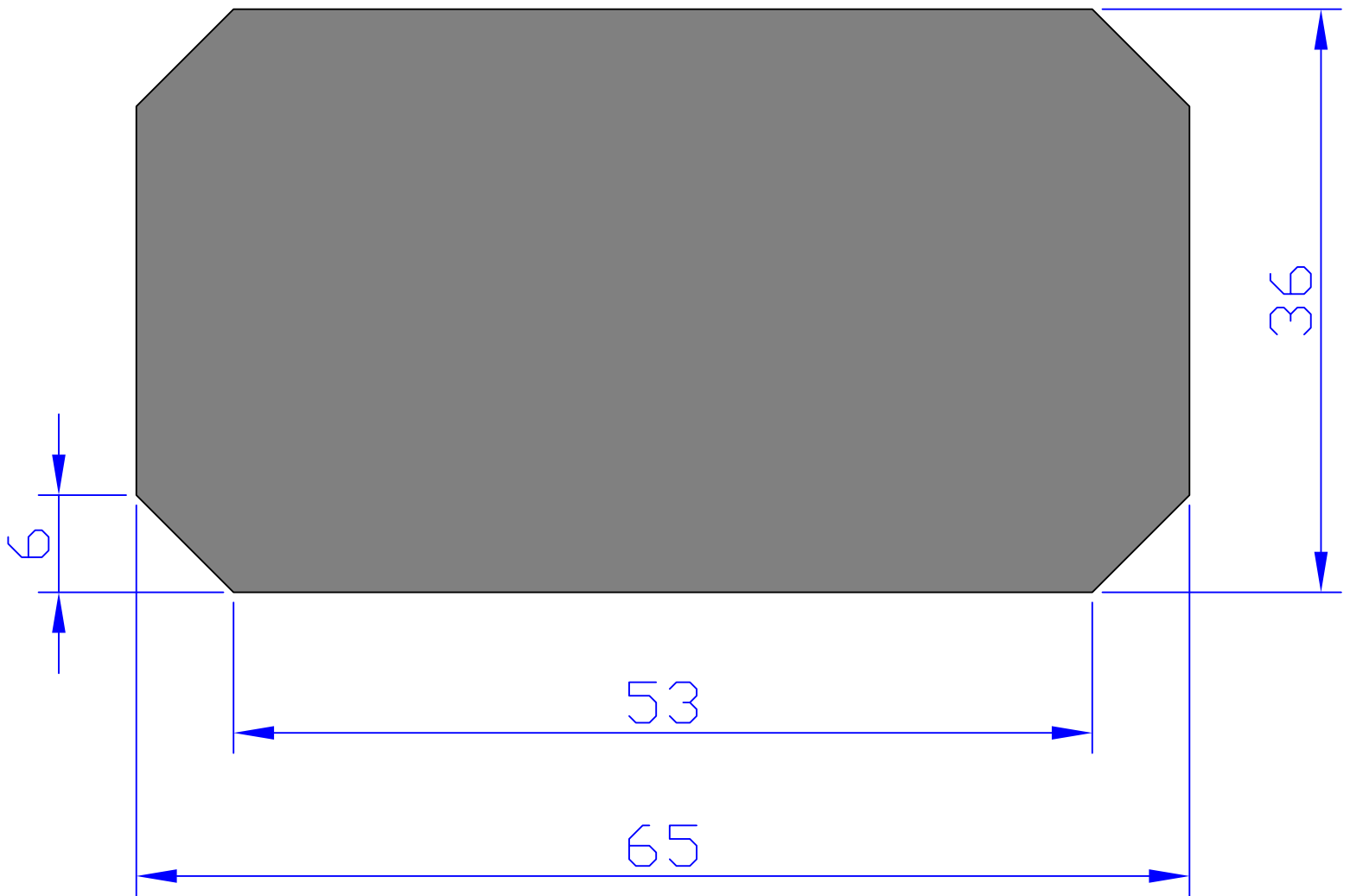
R4020/H



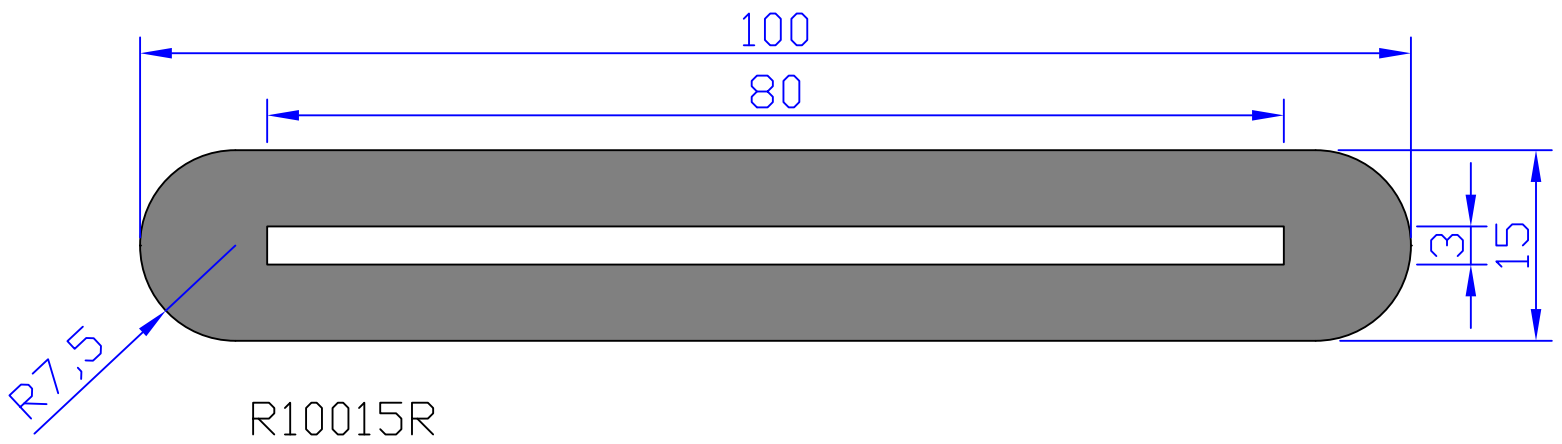
R5013R5N

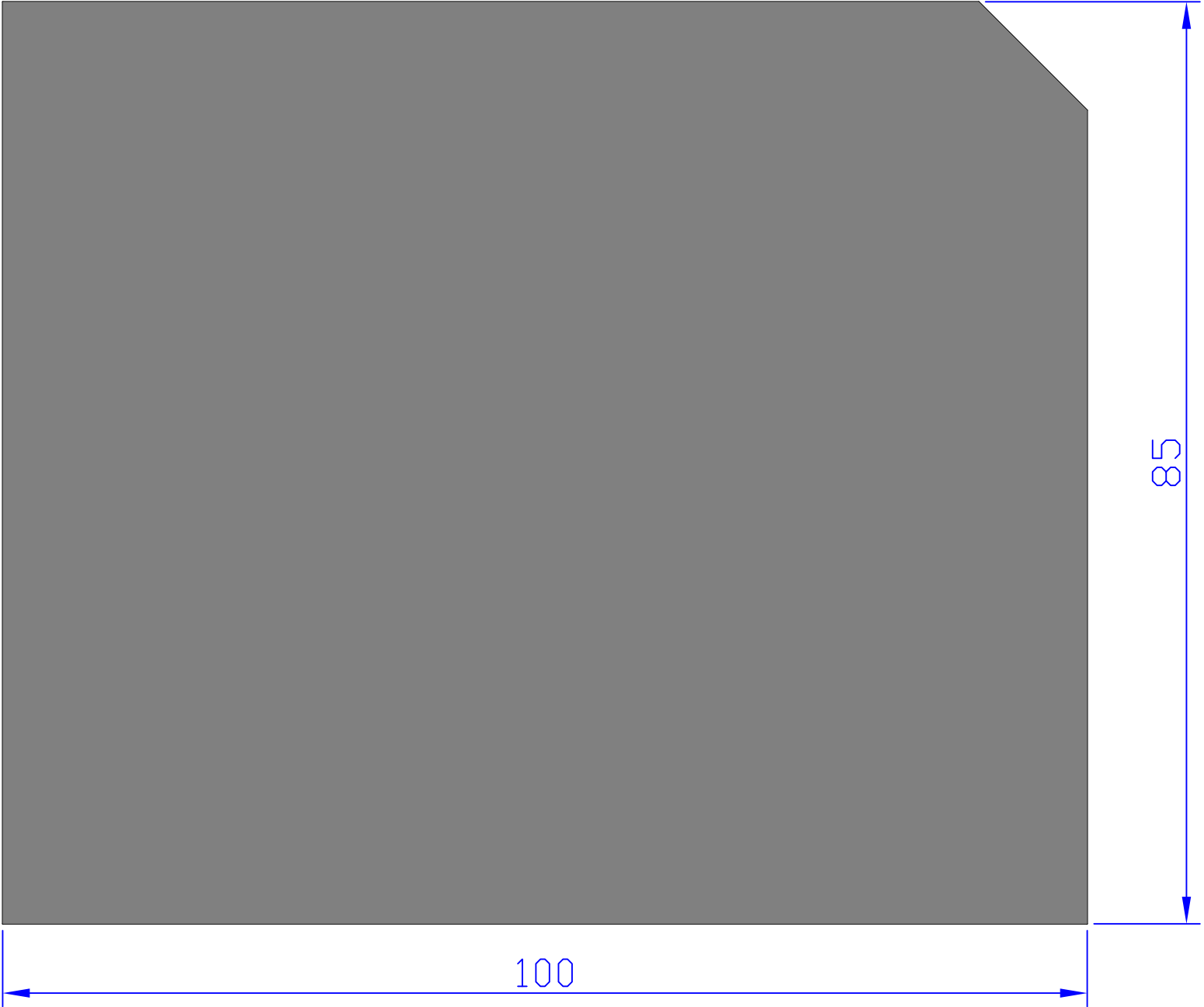


R5020R

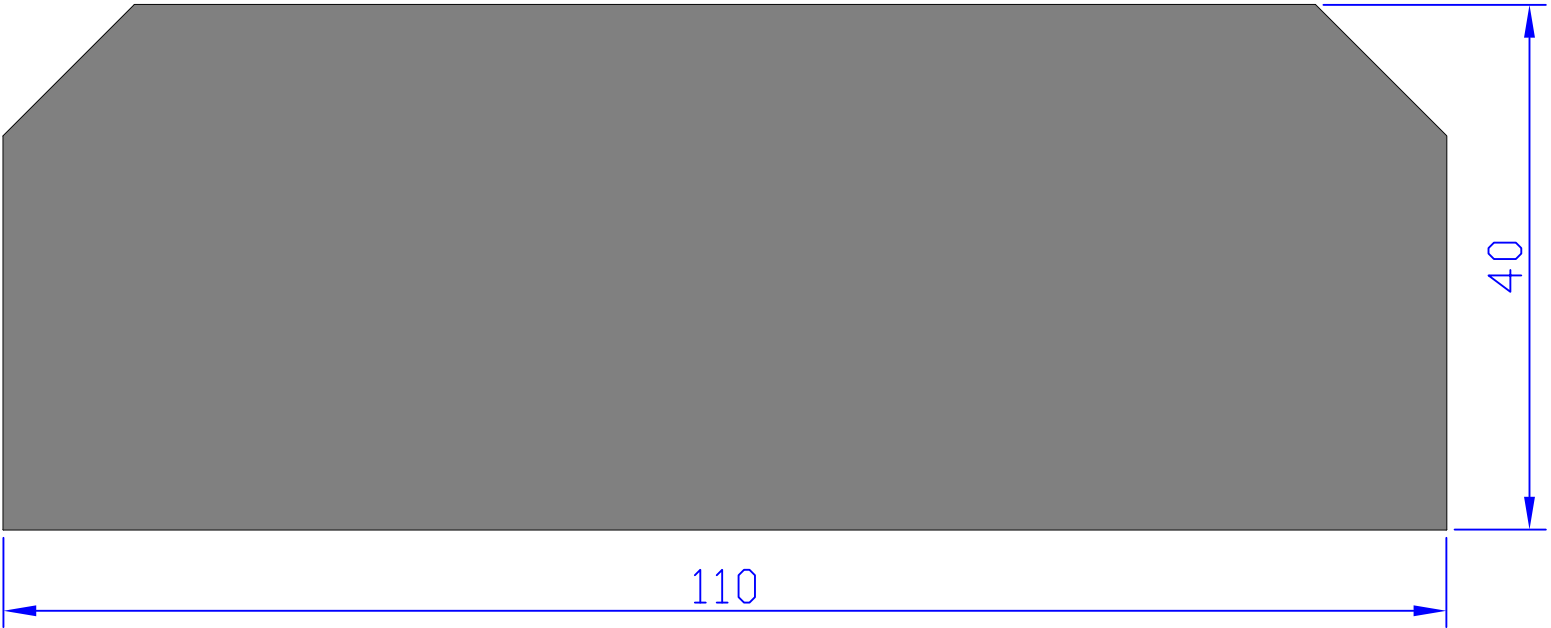


R6536

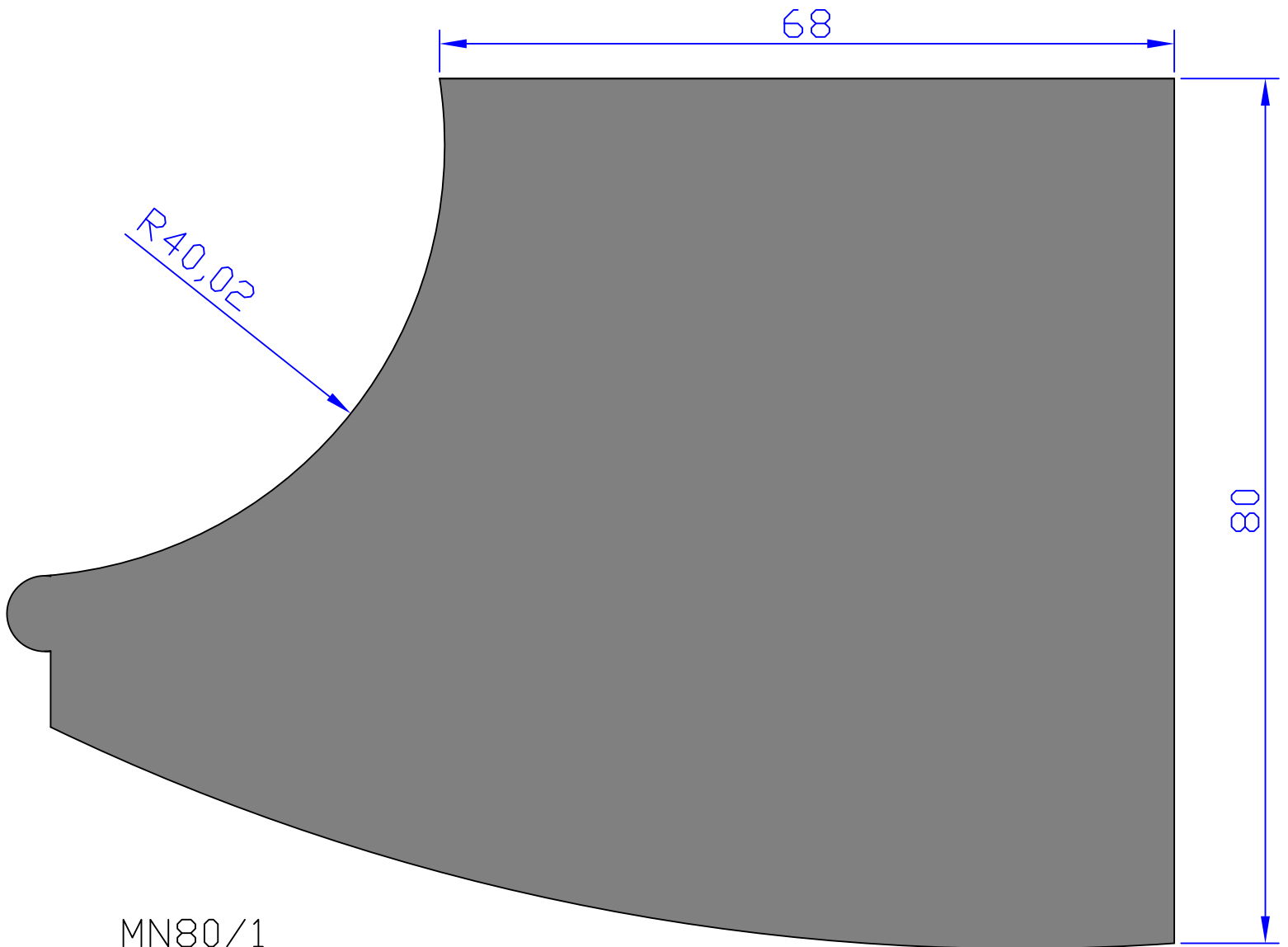


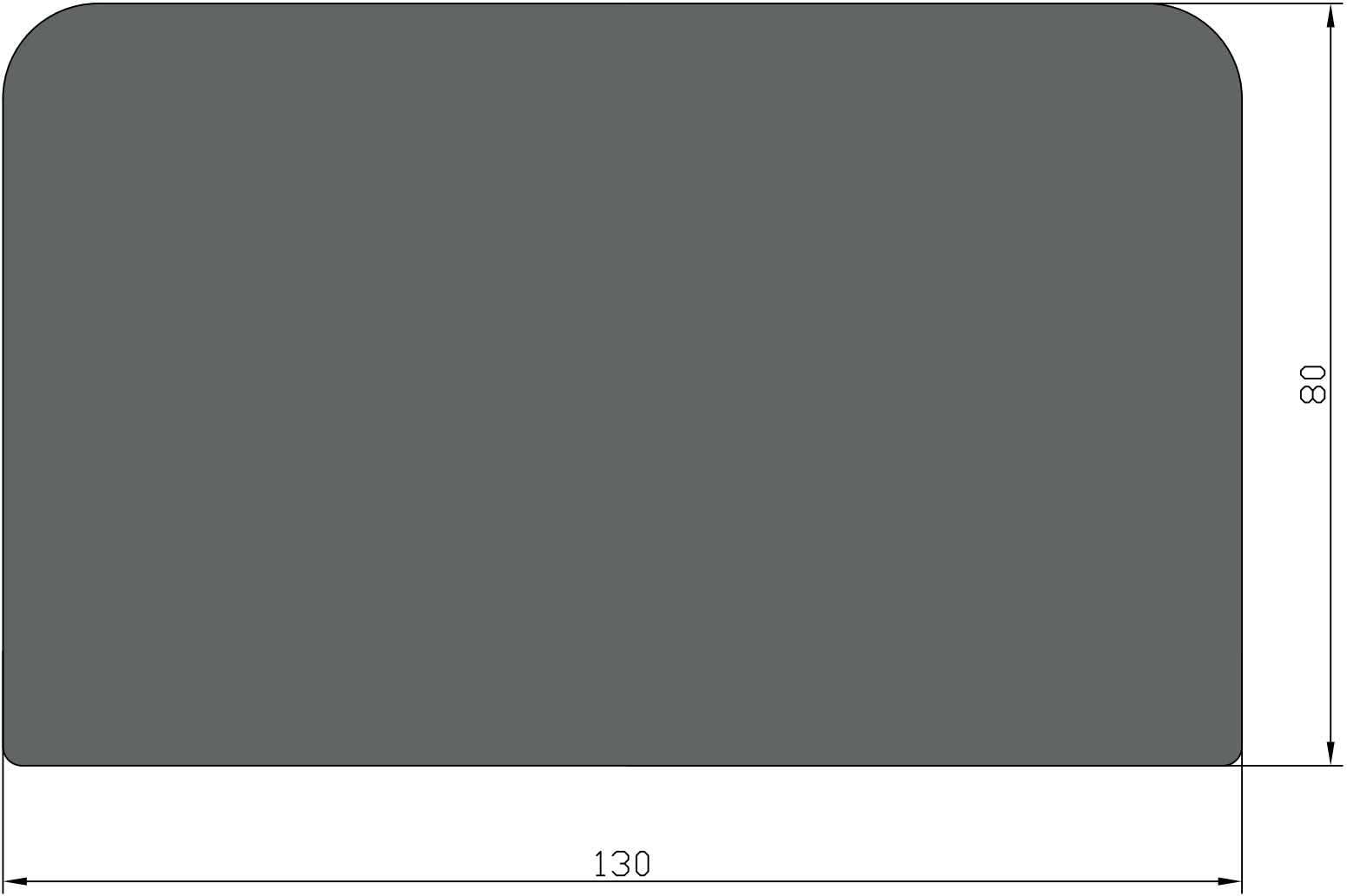


R10085



R11040

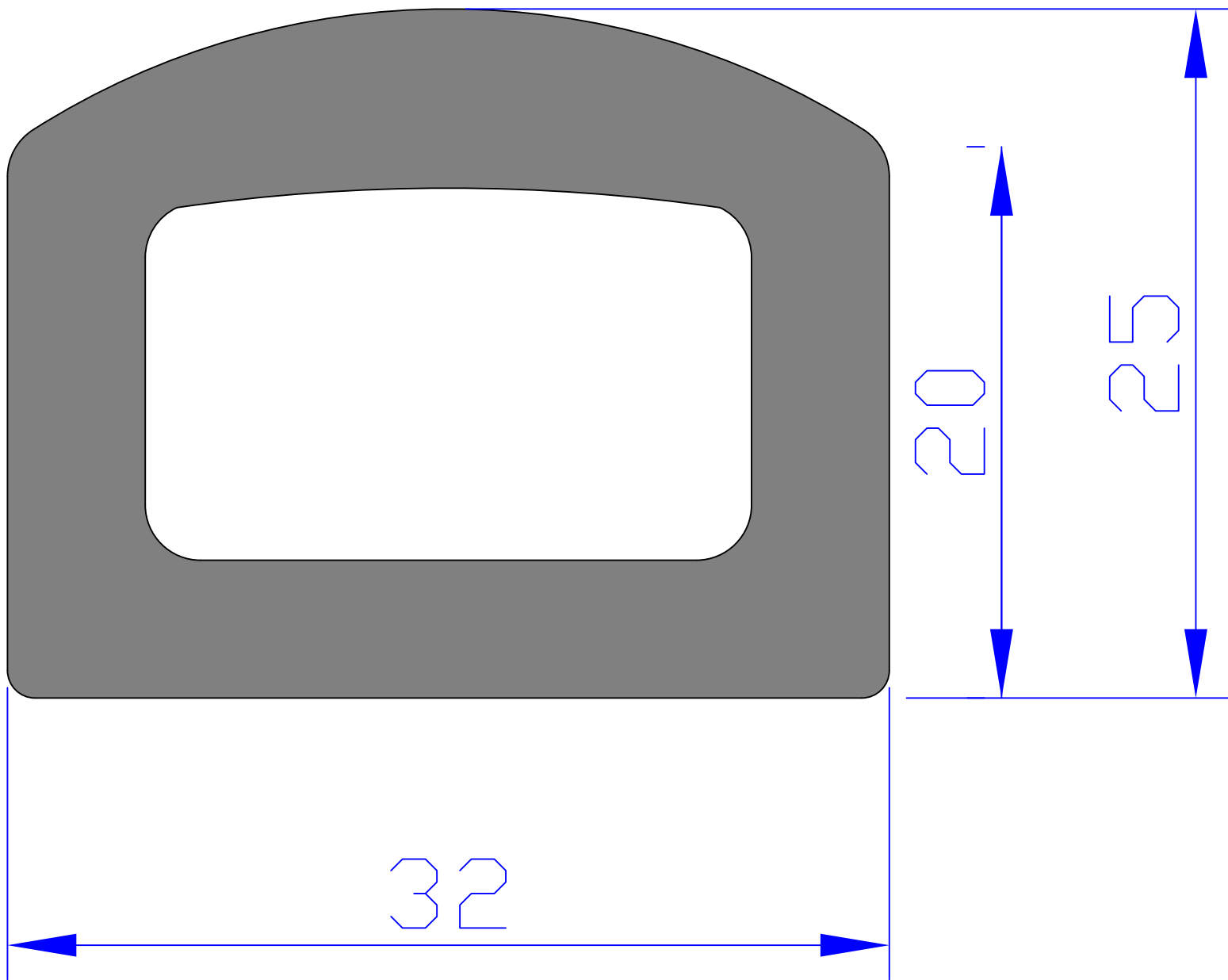




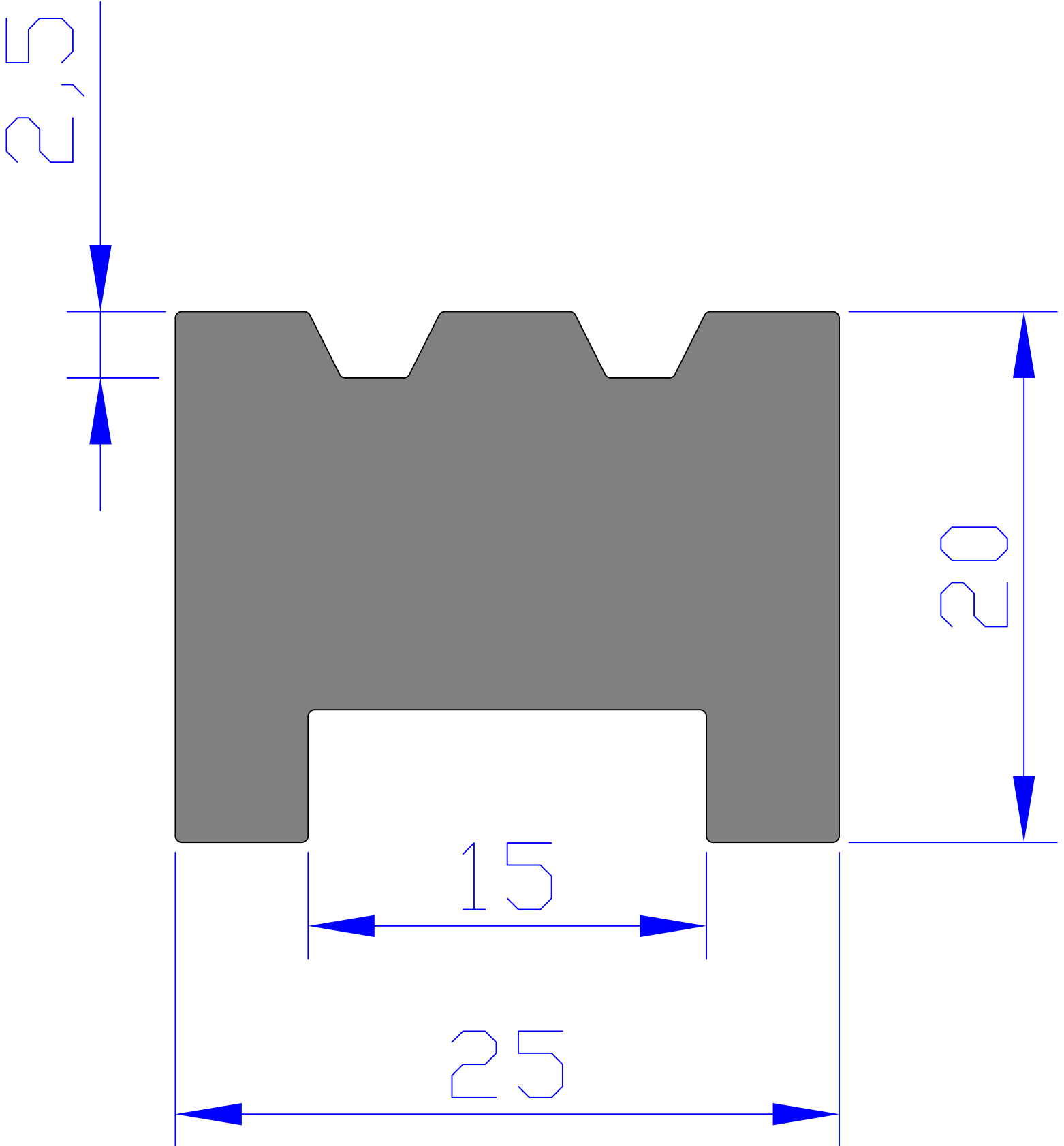
130

80

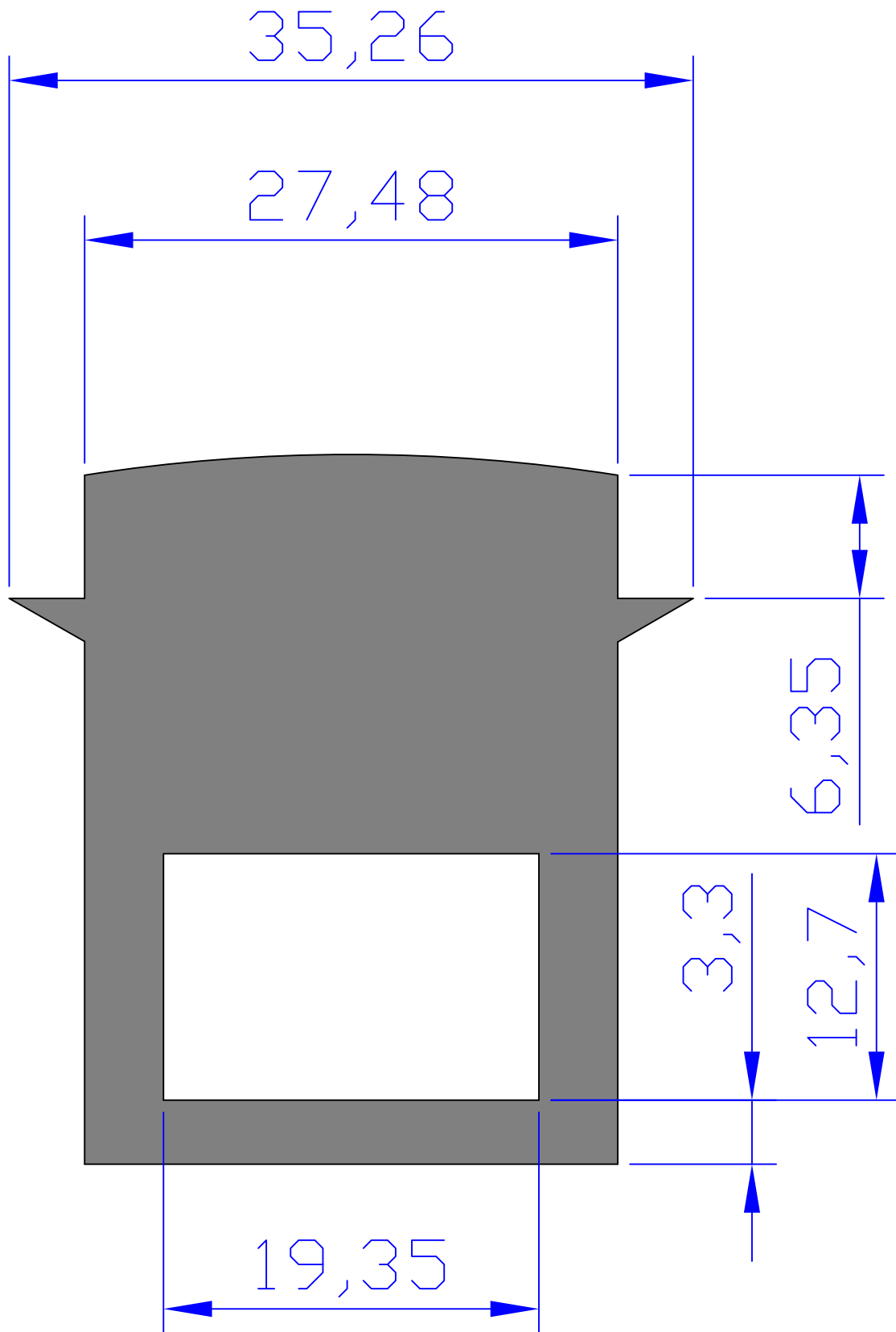
R13080



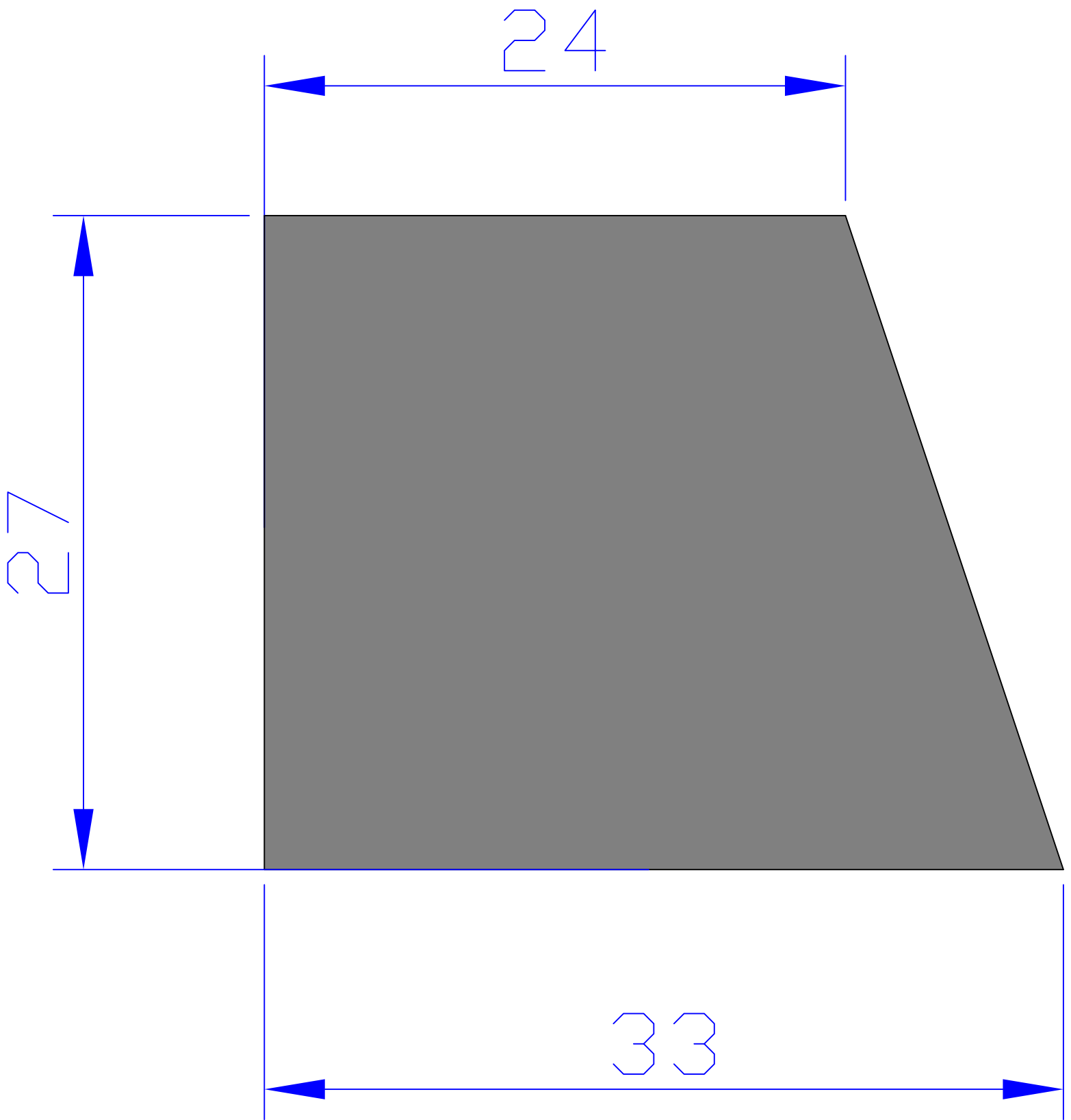
R322520



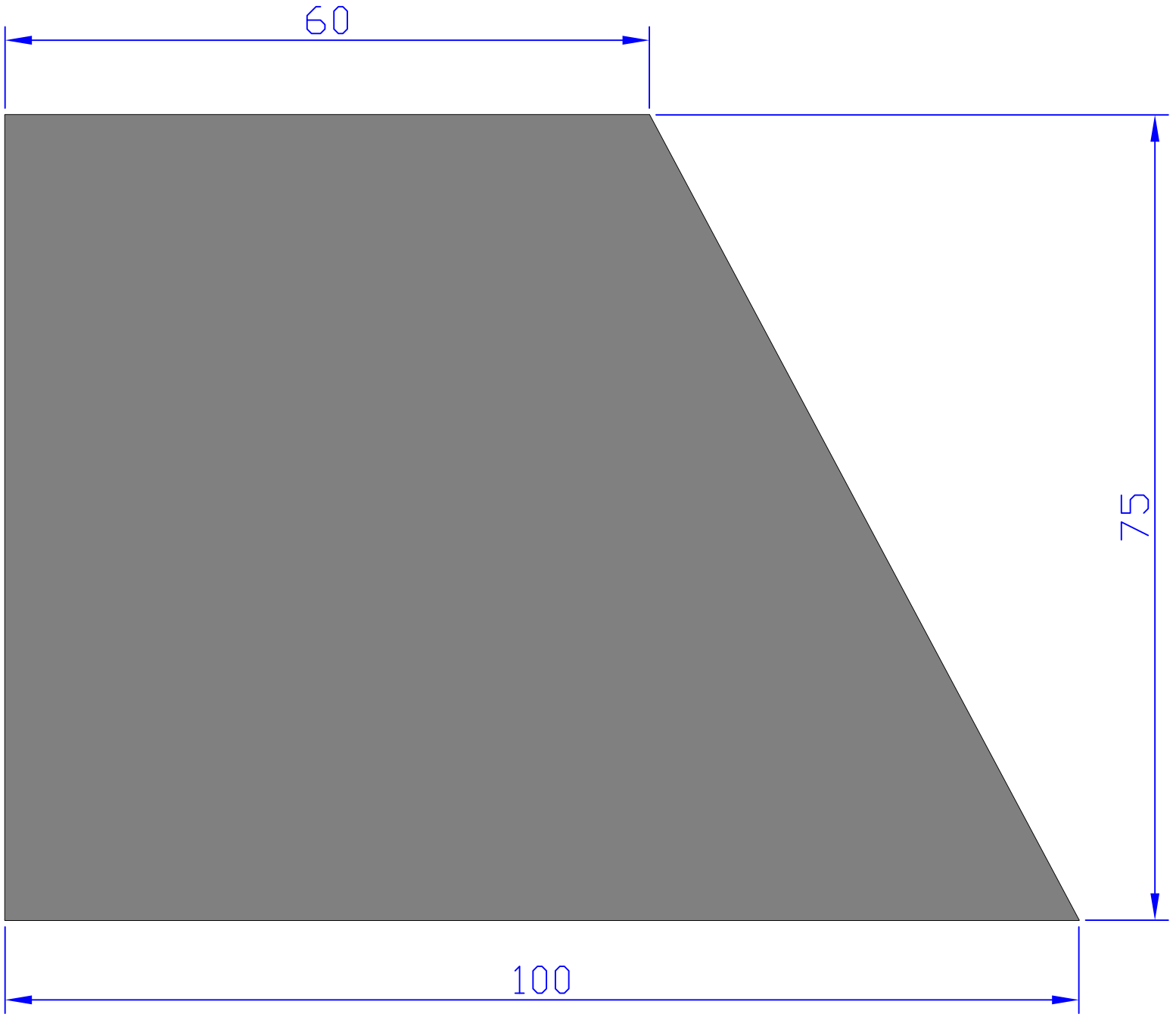
RA2



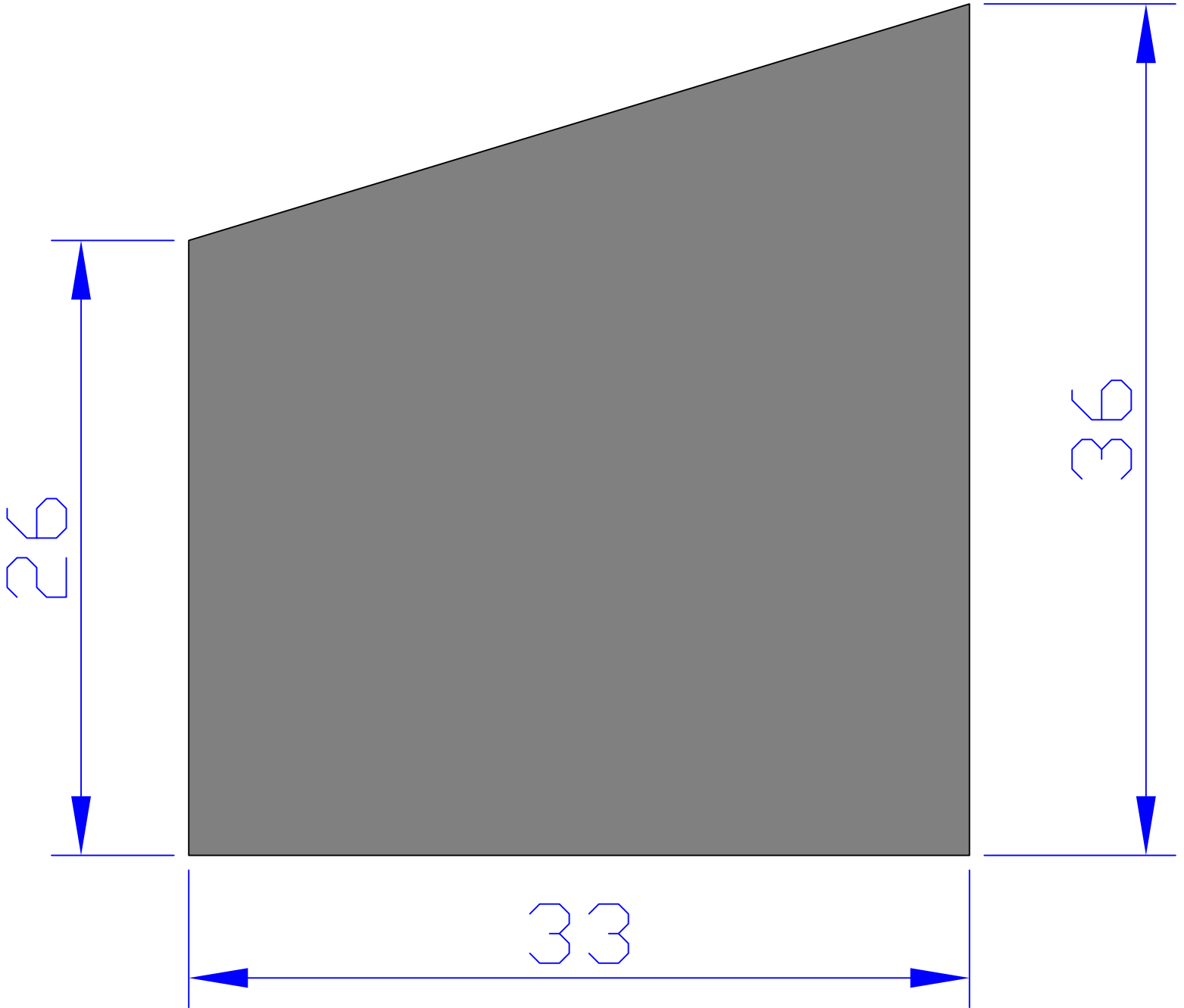
RA3



RB332724

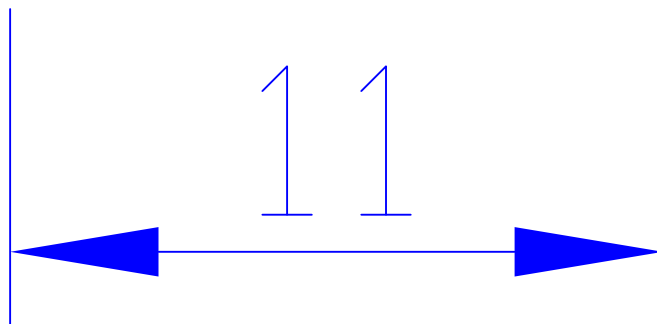
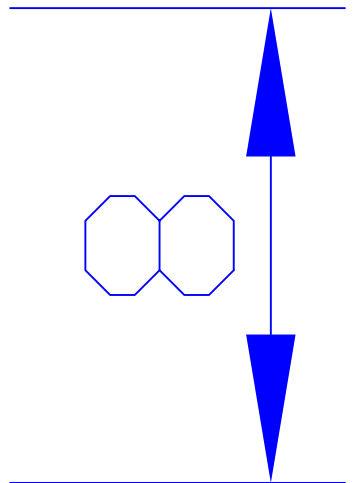
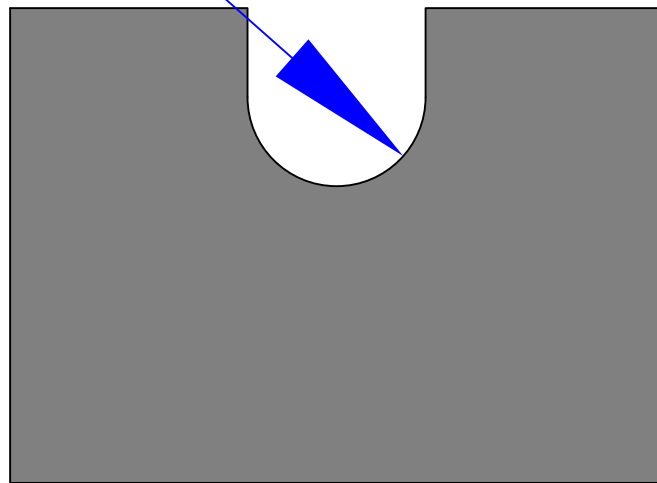


RB1007560

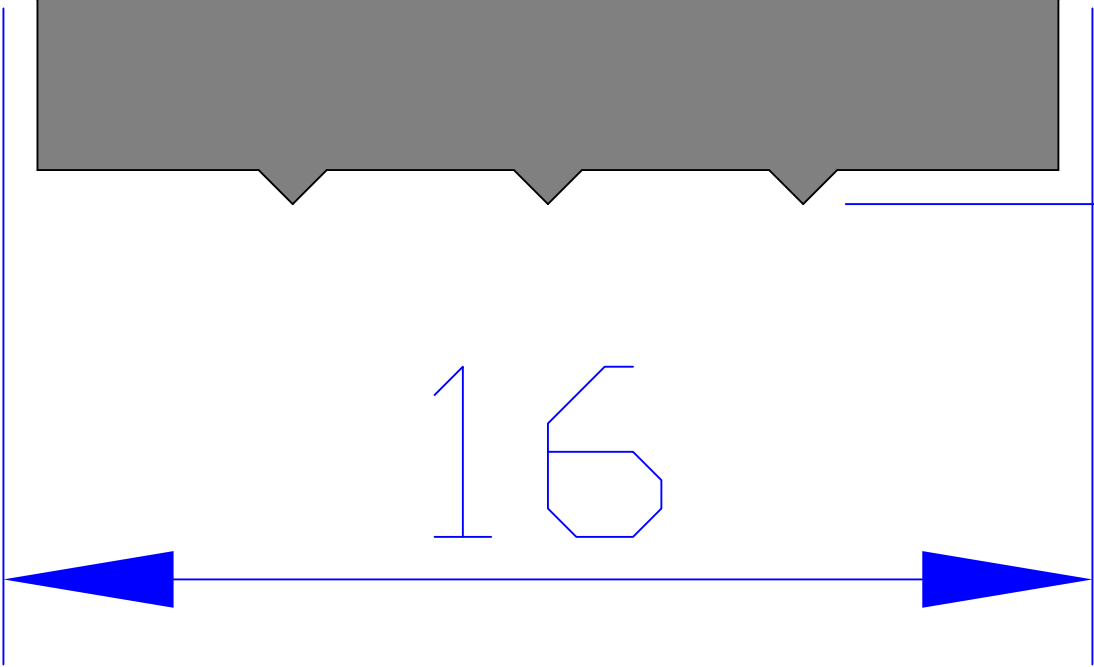
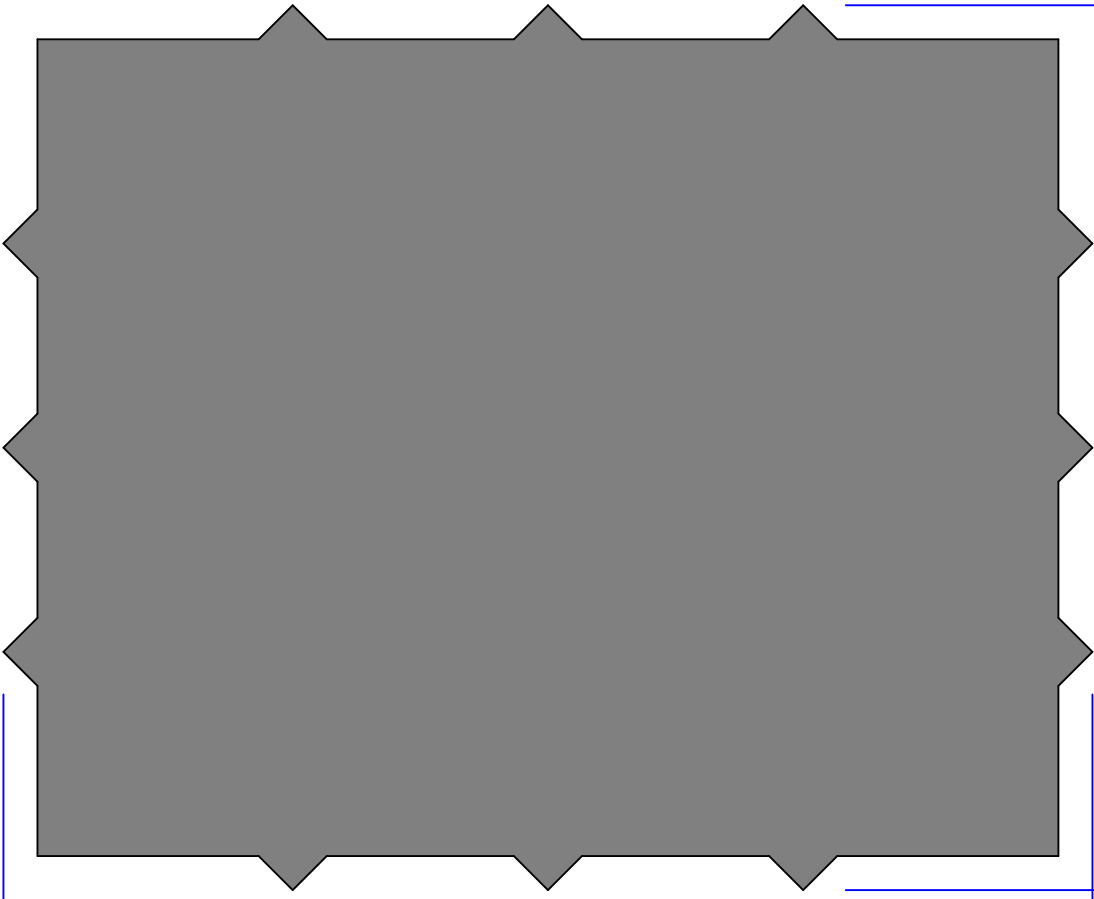


RCP1

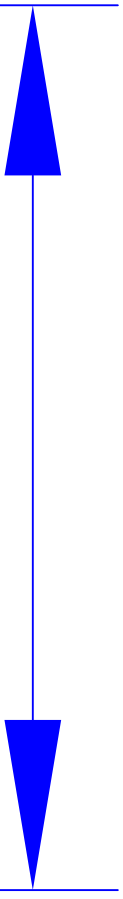
RG1108



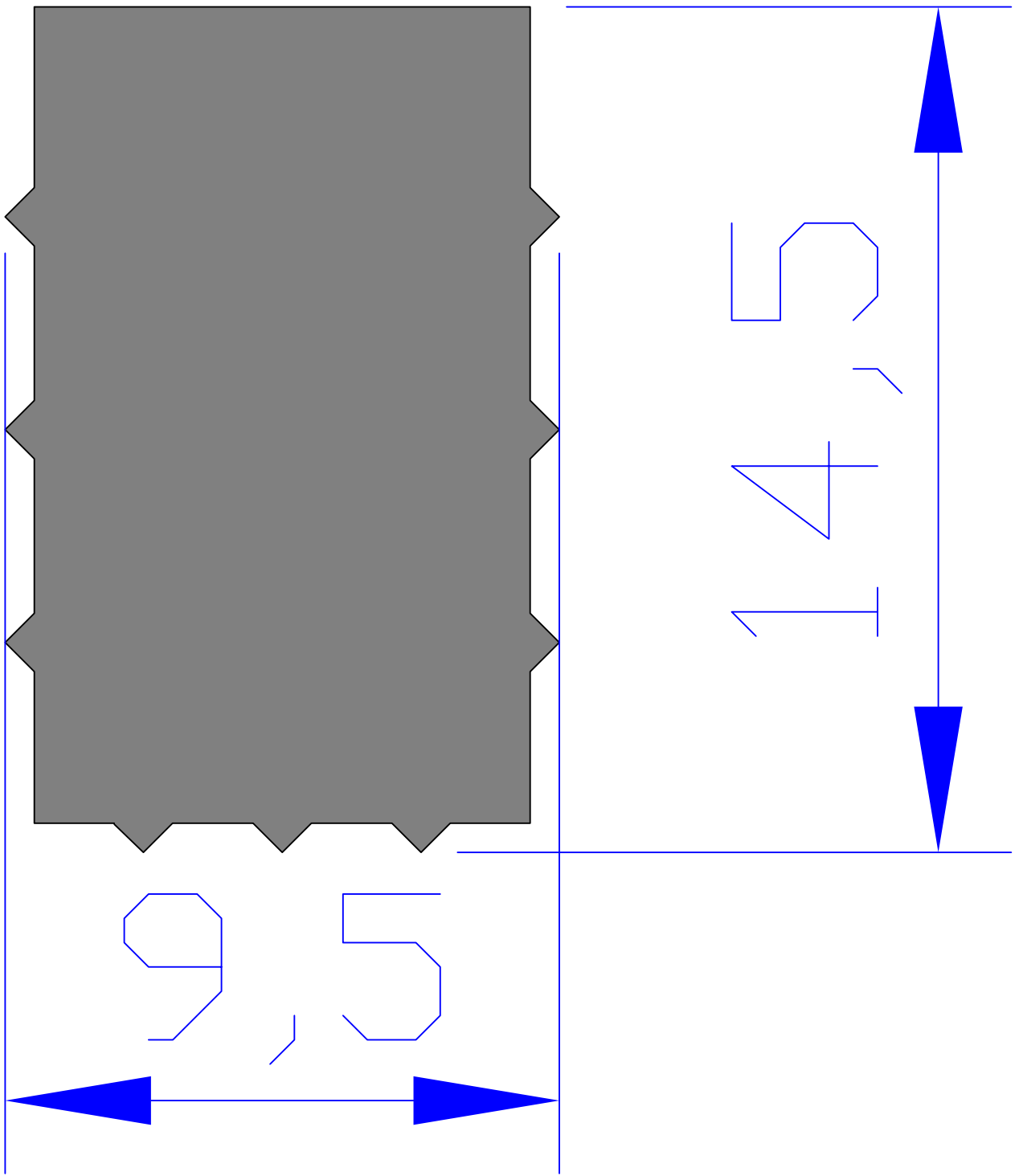
RG1108



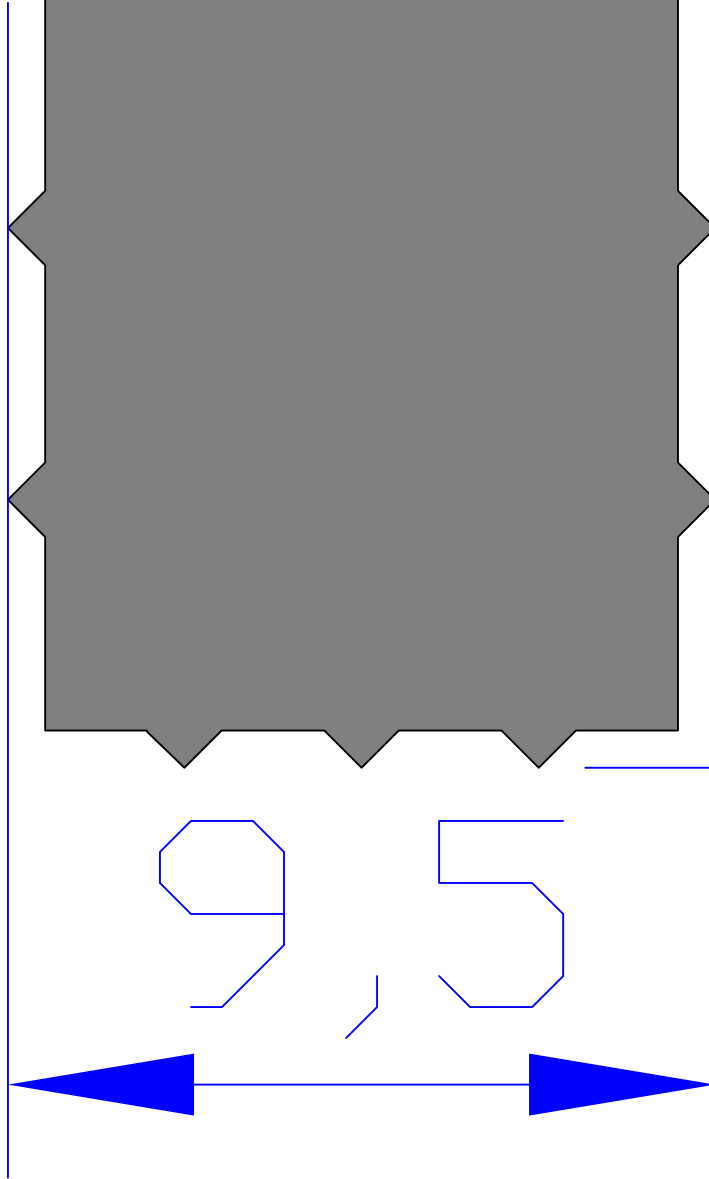
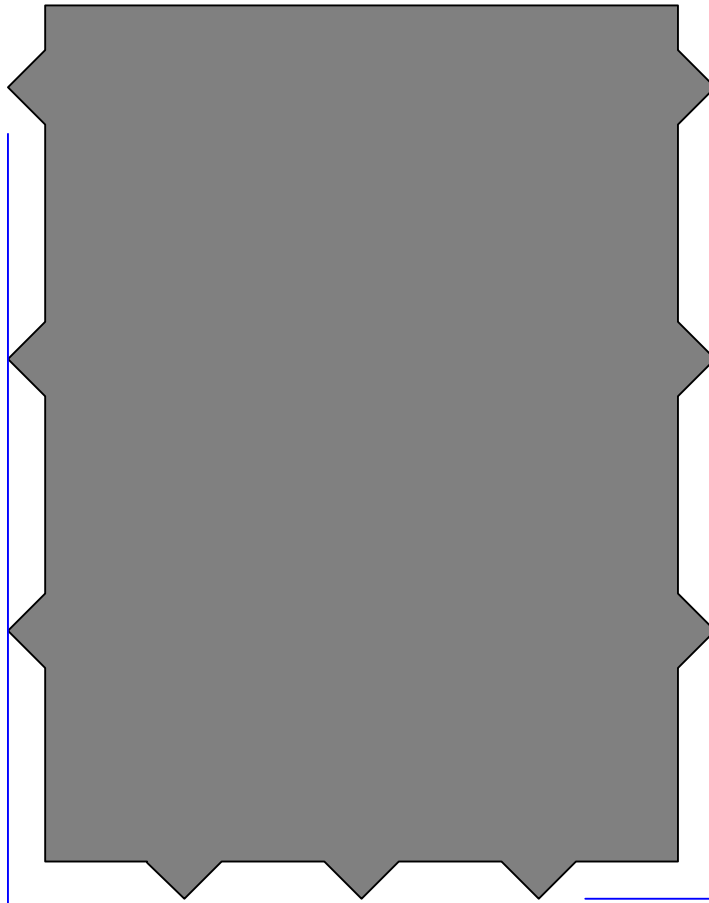
RR1216



RR1216



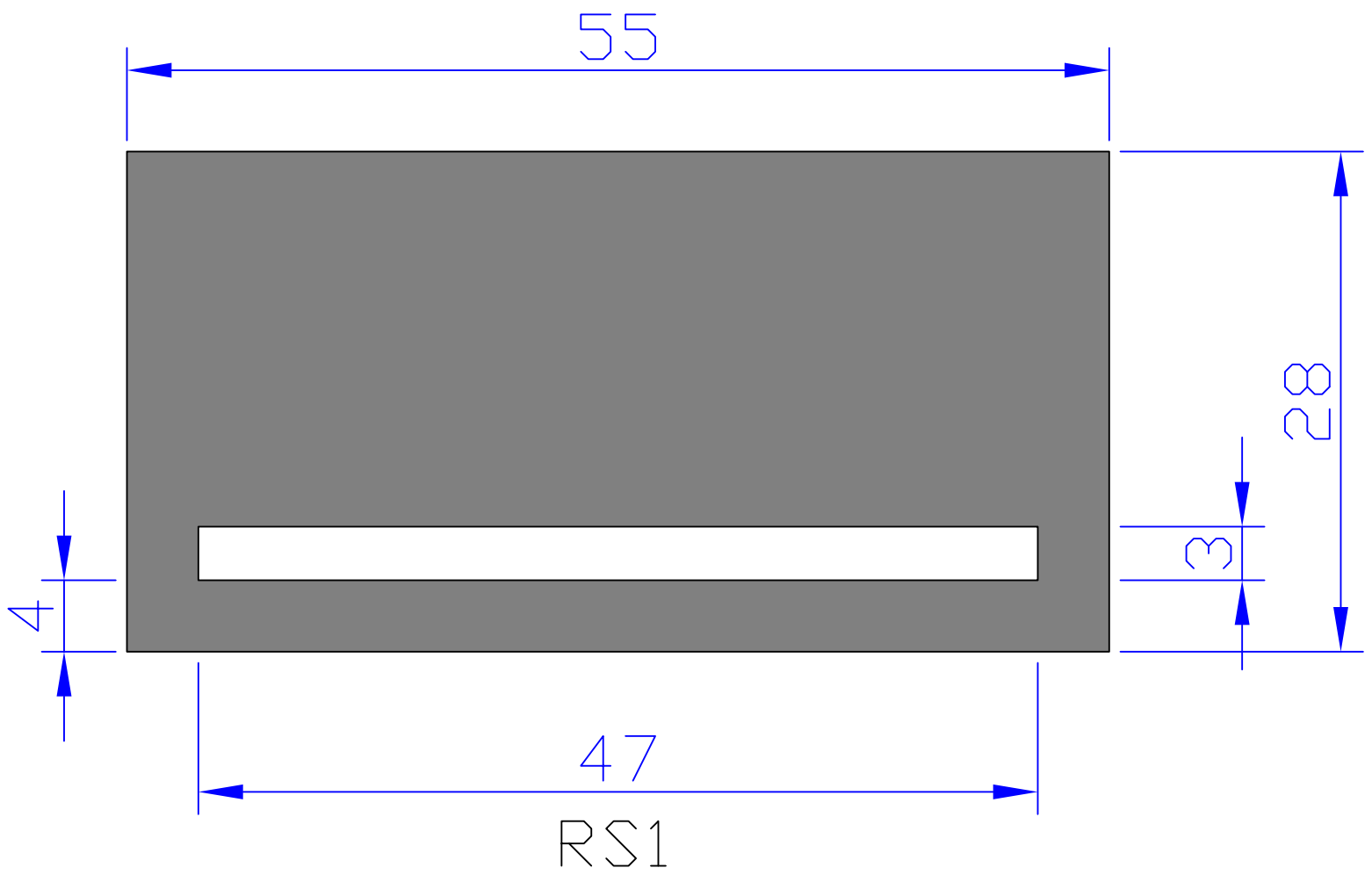
RR1409

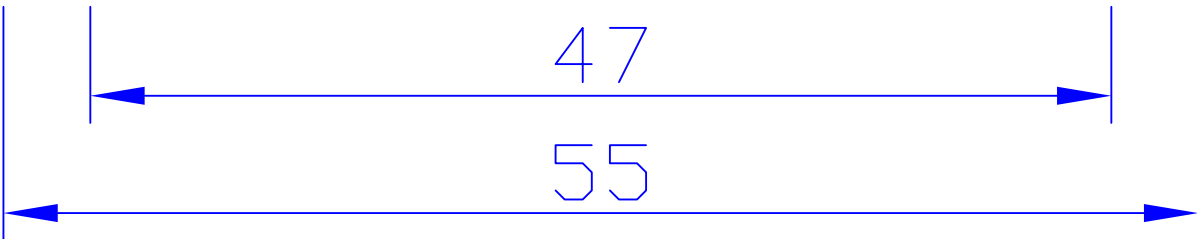
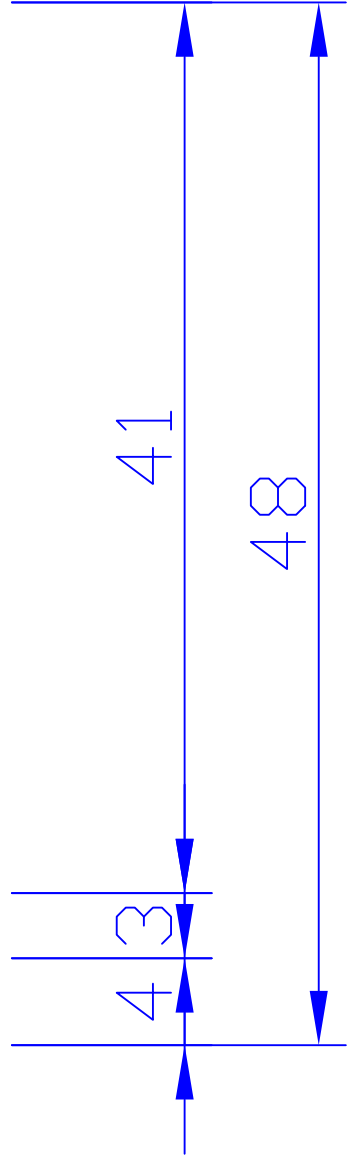
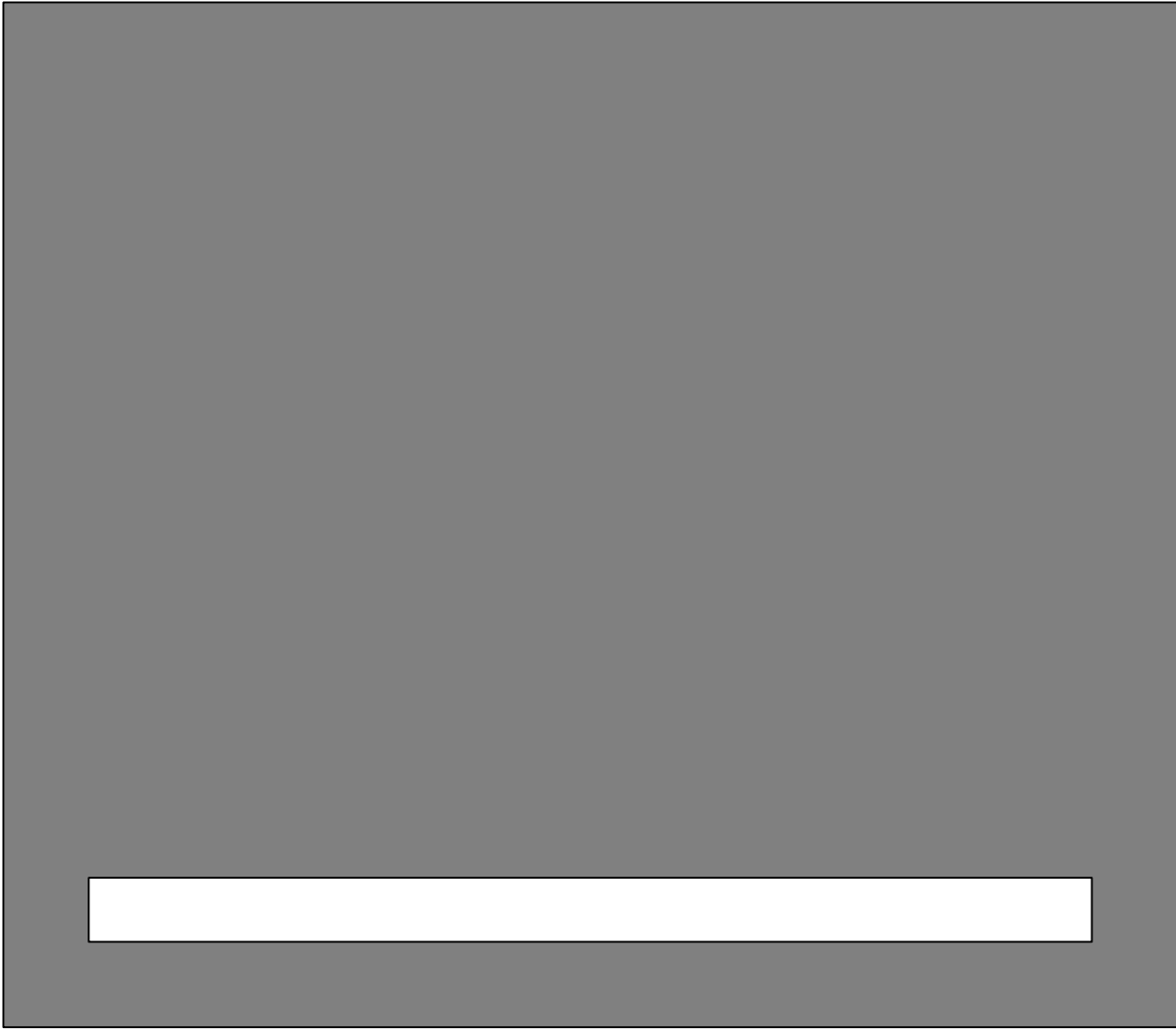


21

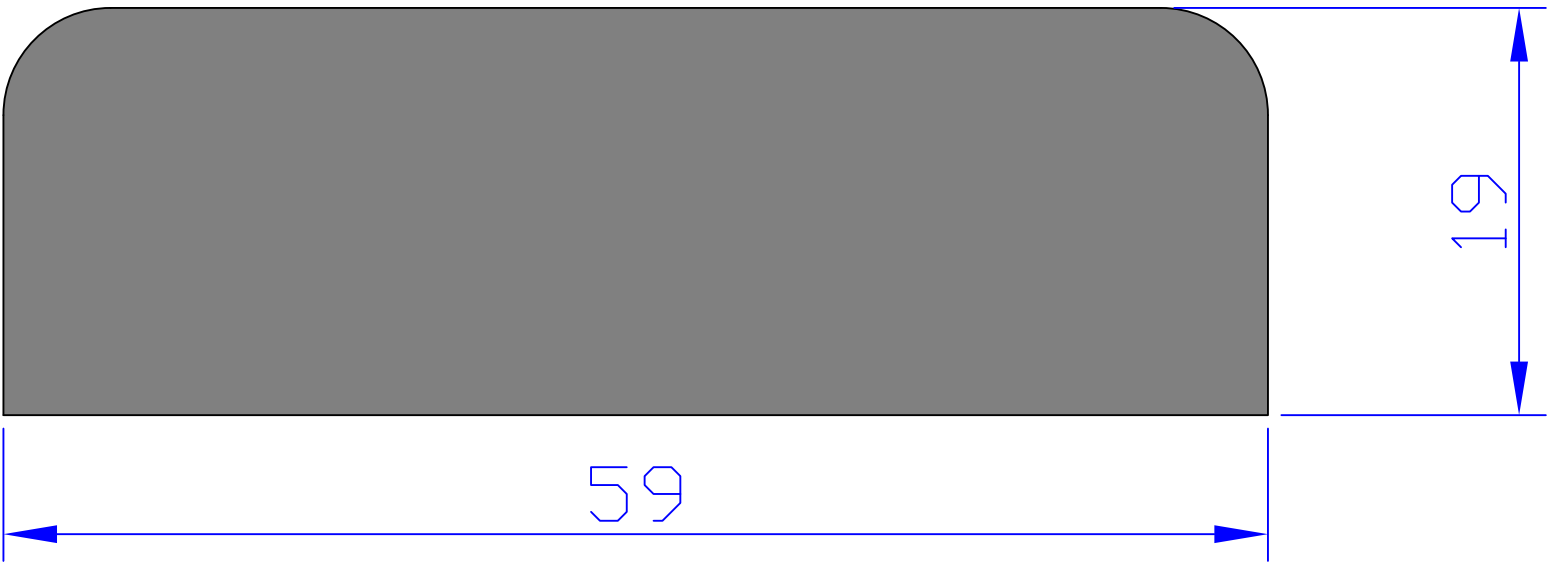
9,5

RR1409 / 2

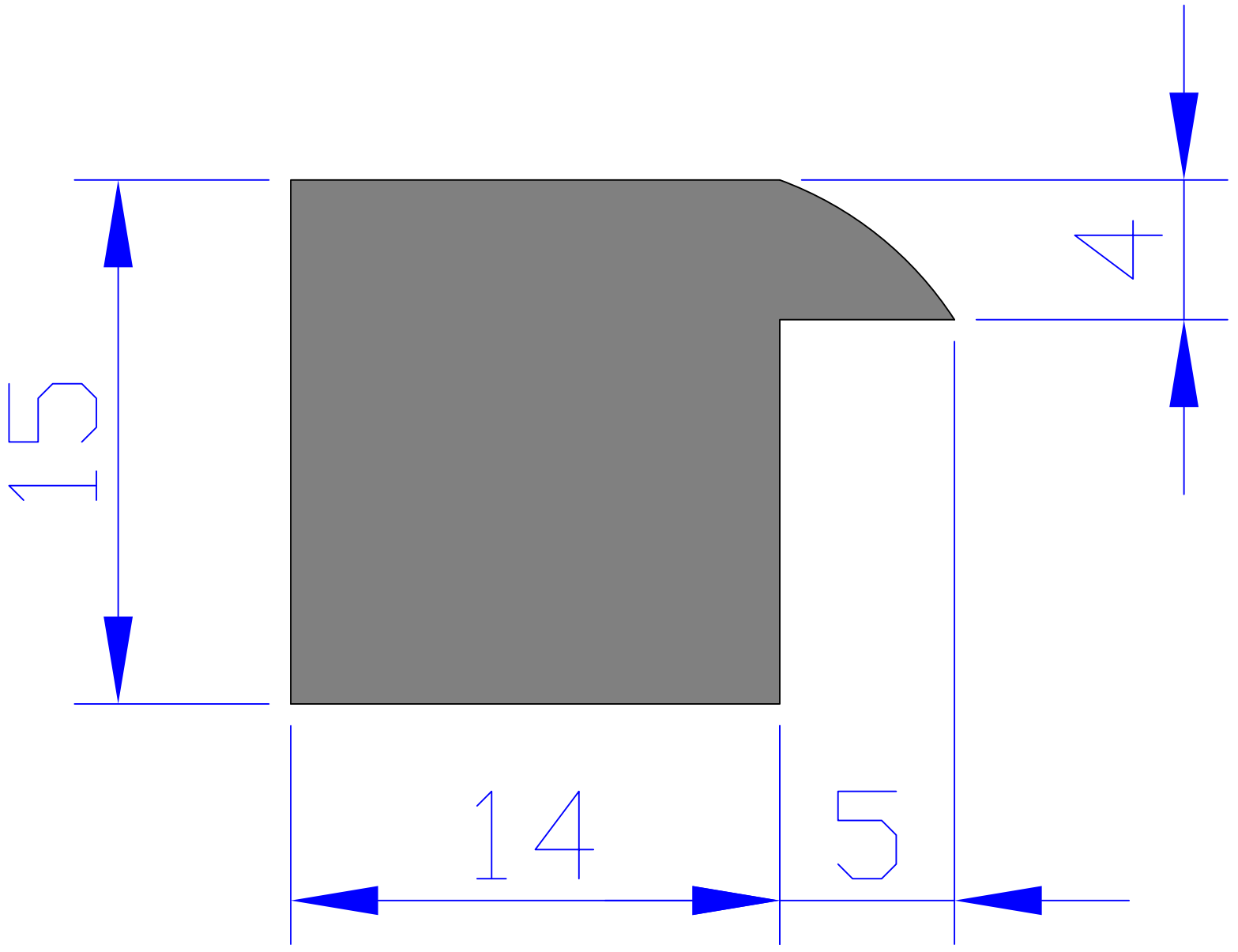




RS2



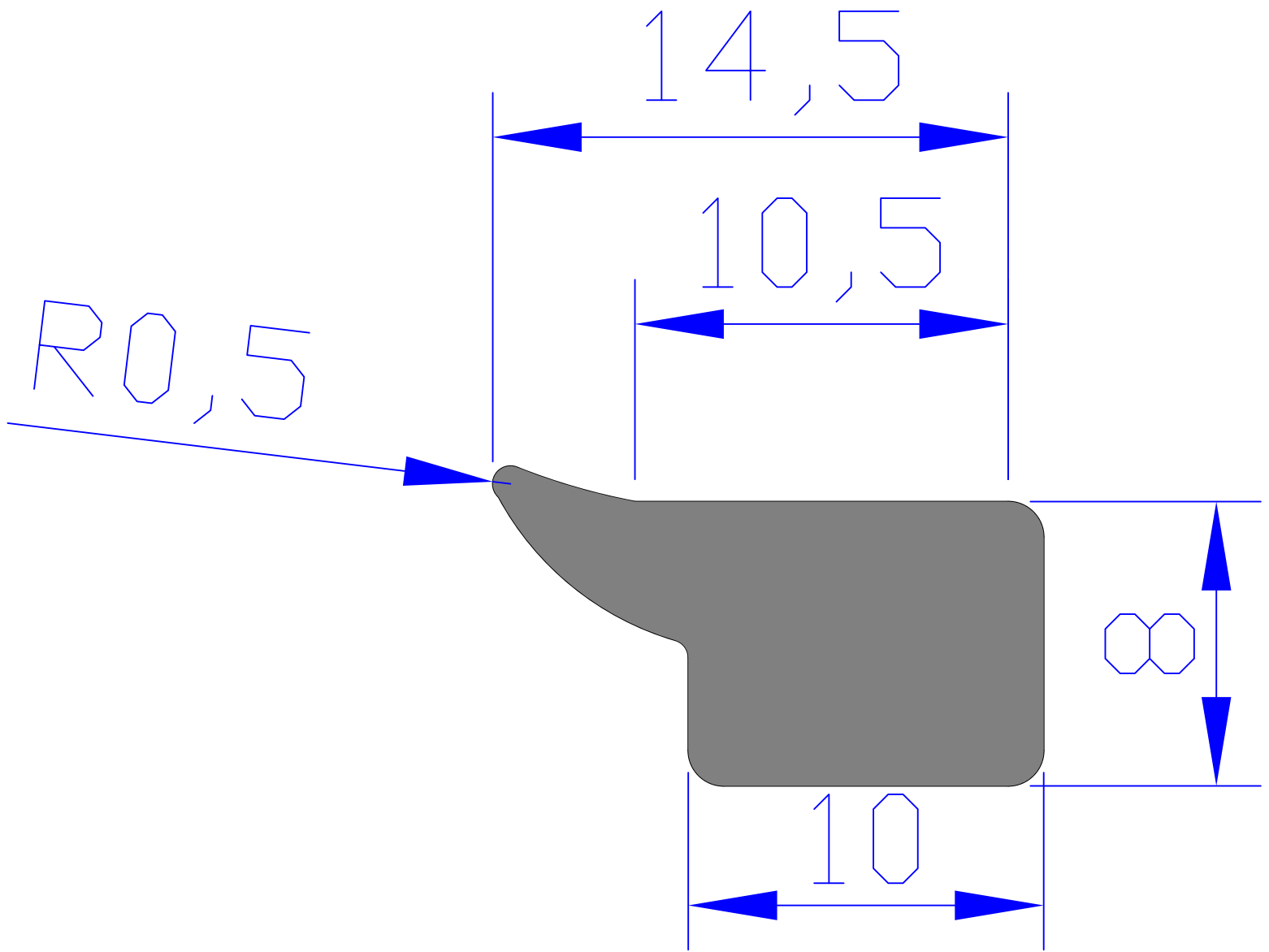
RT5919



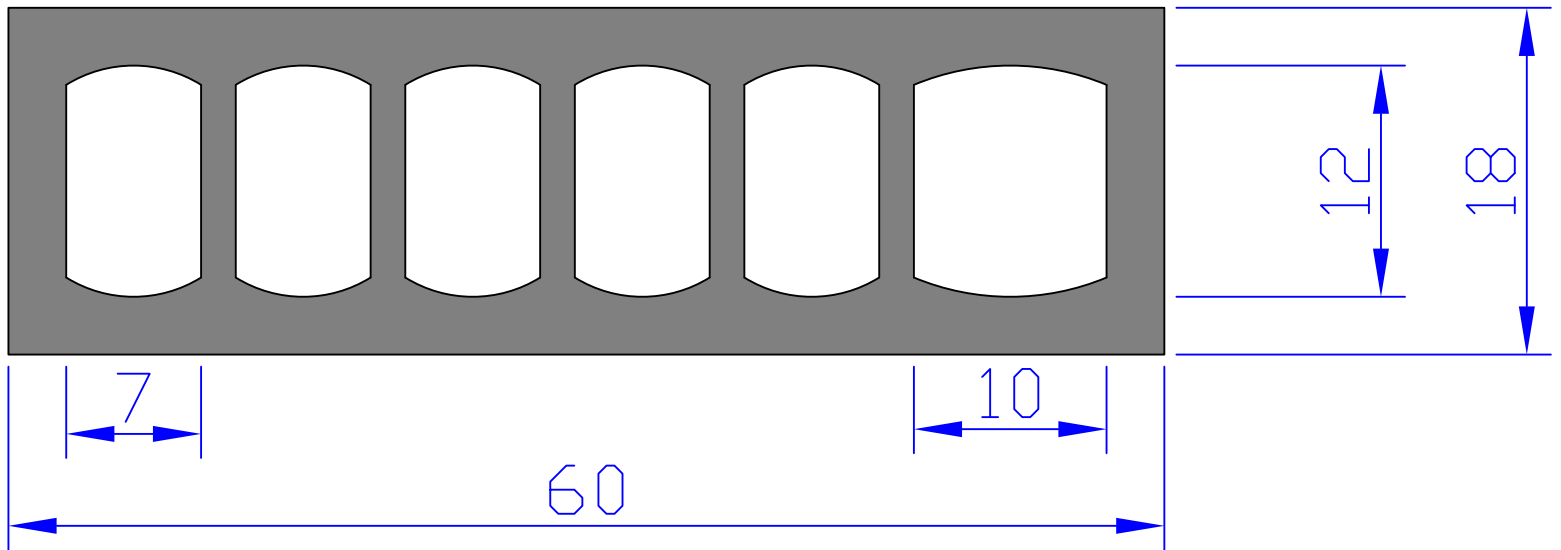
S1



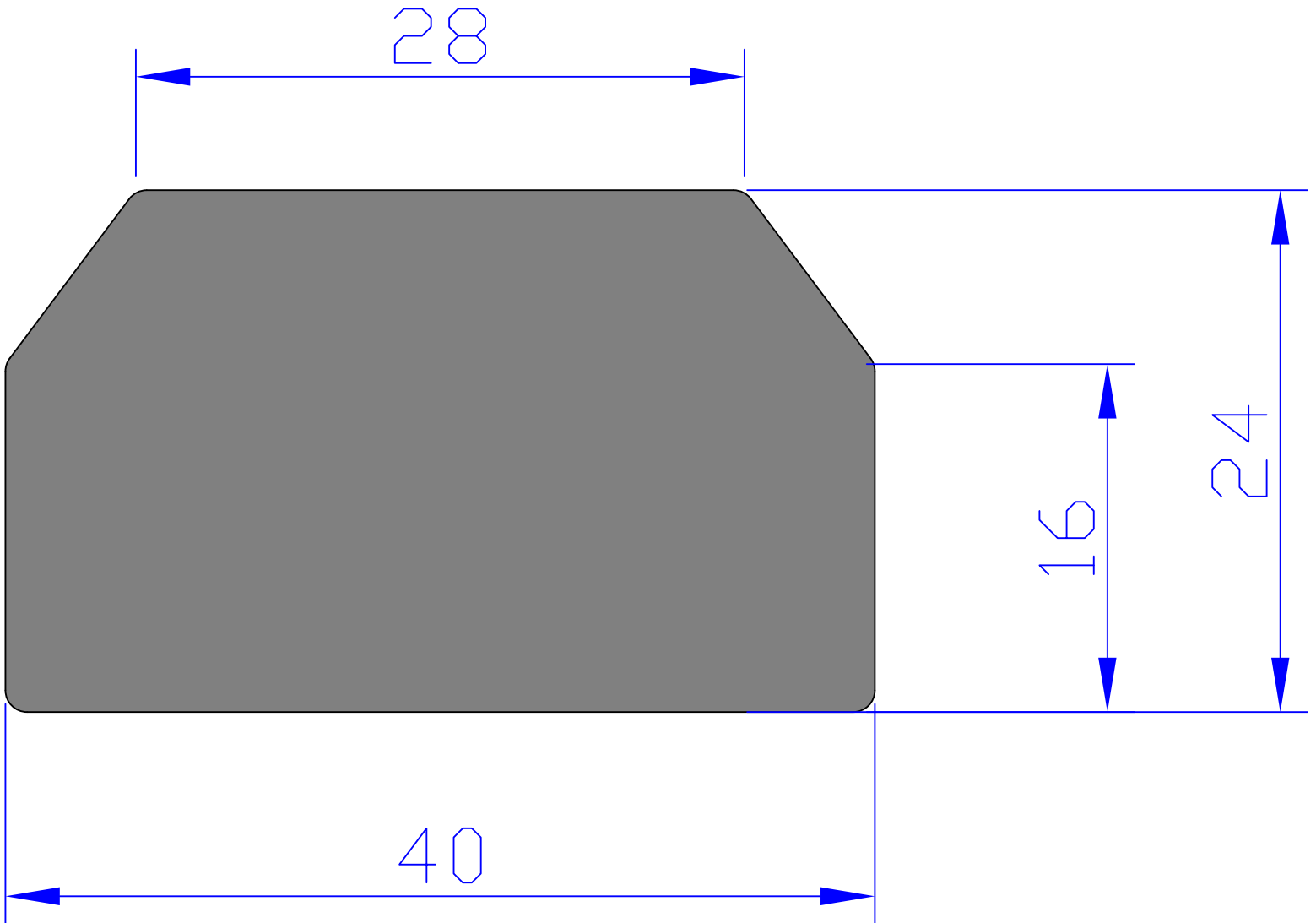
S100152



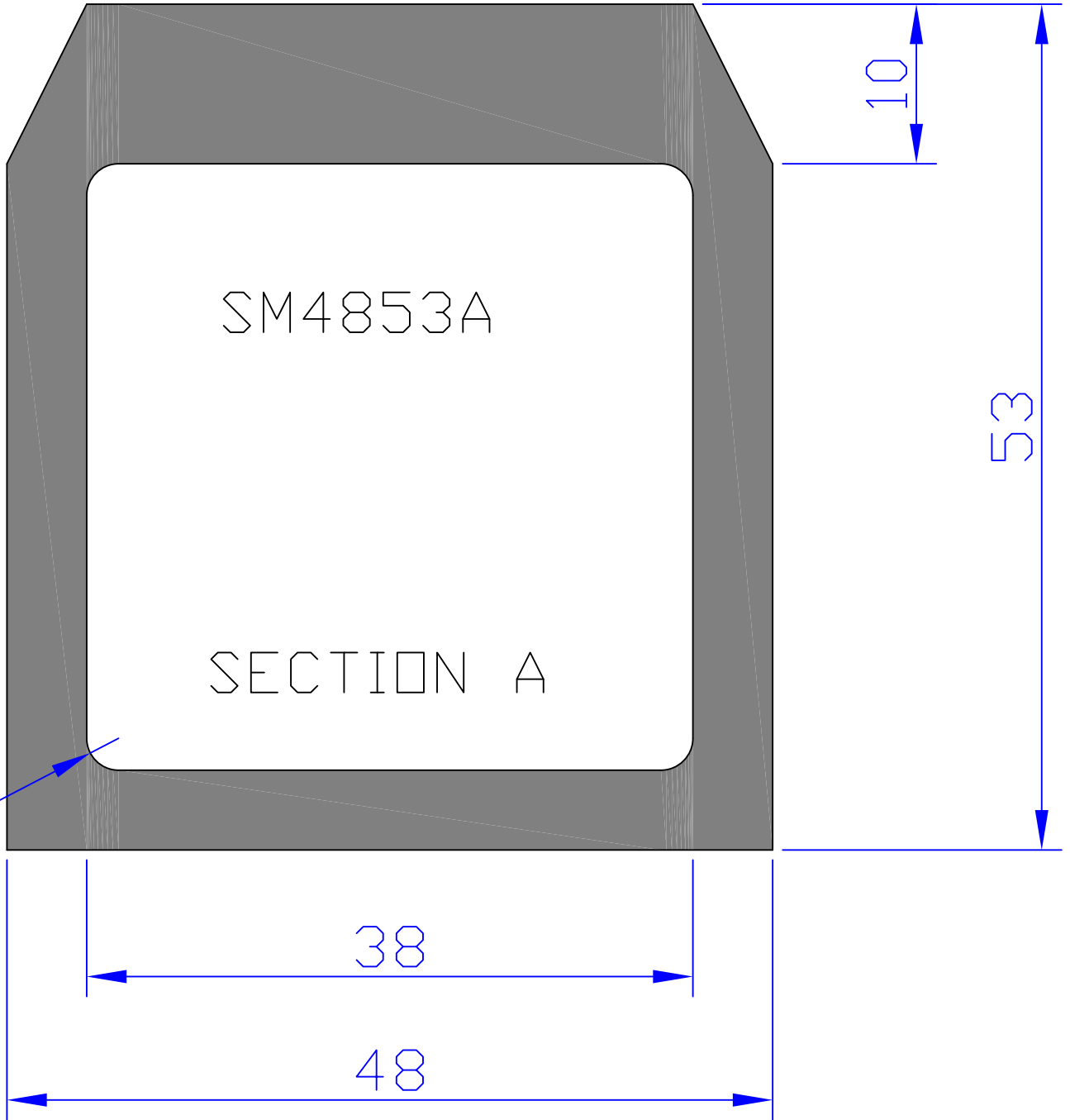
S1551008

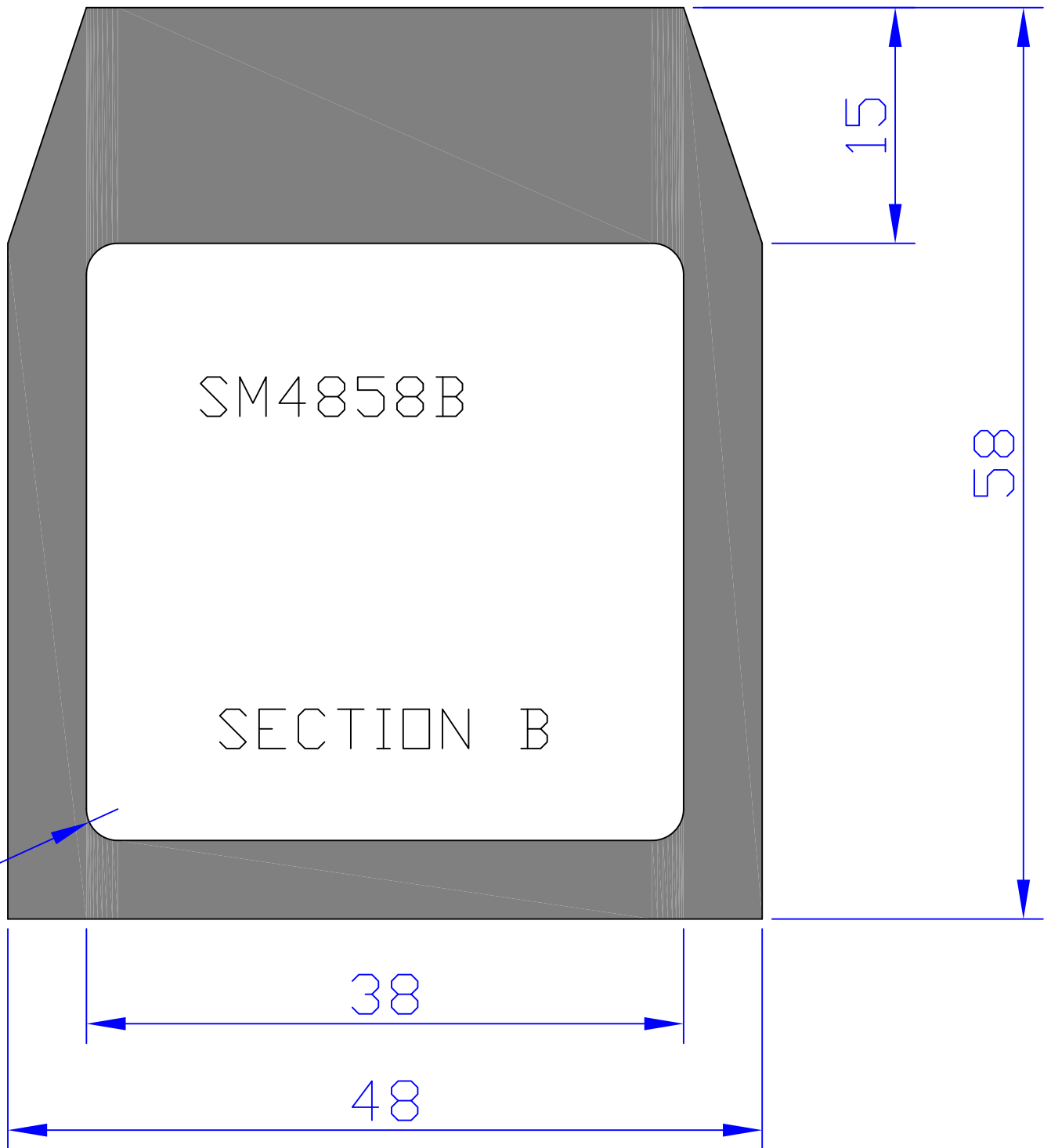


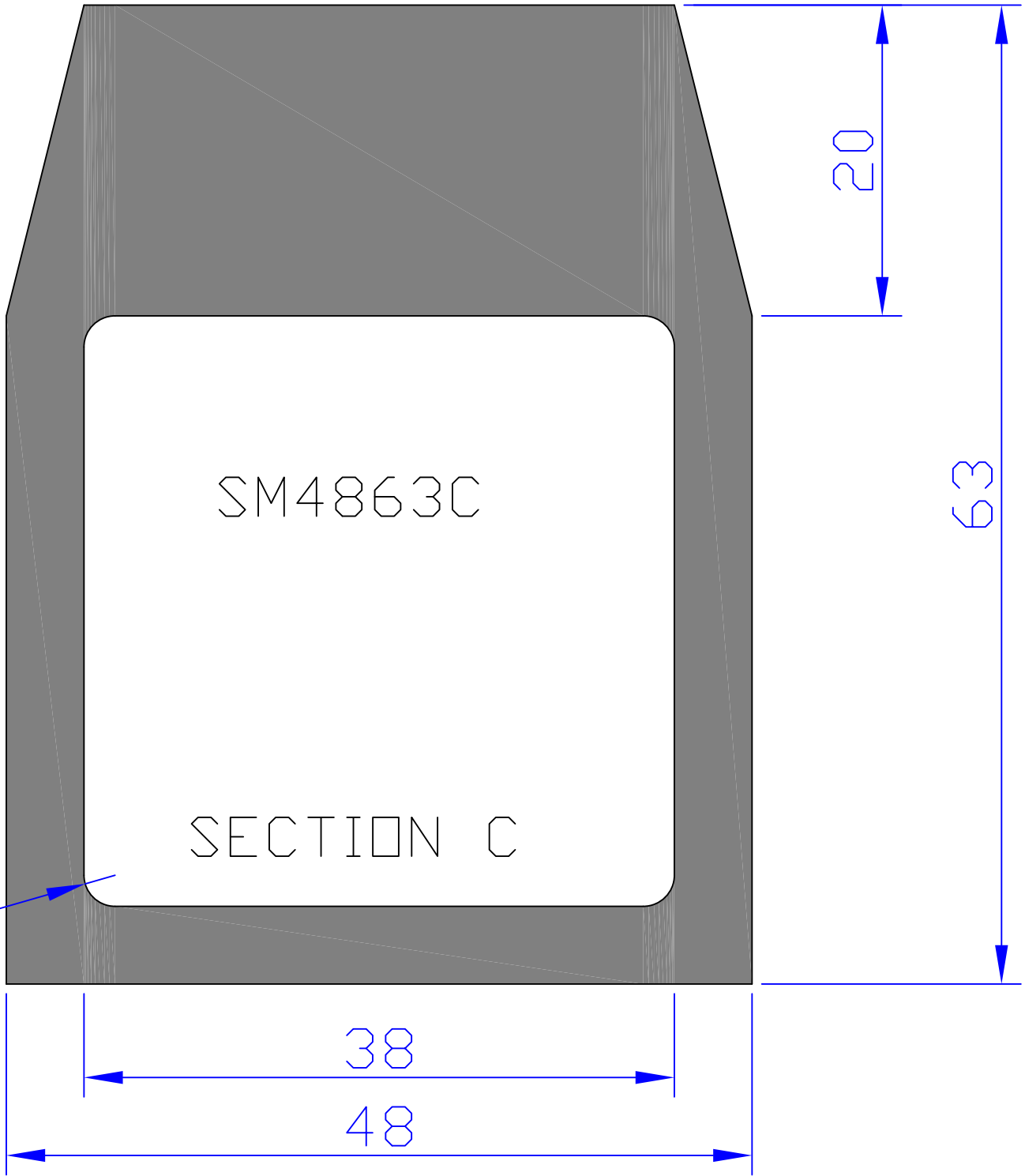
SCC6018

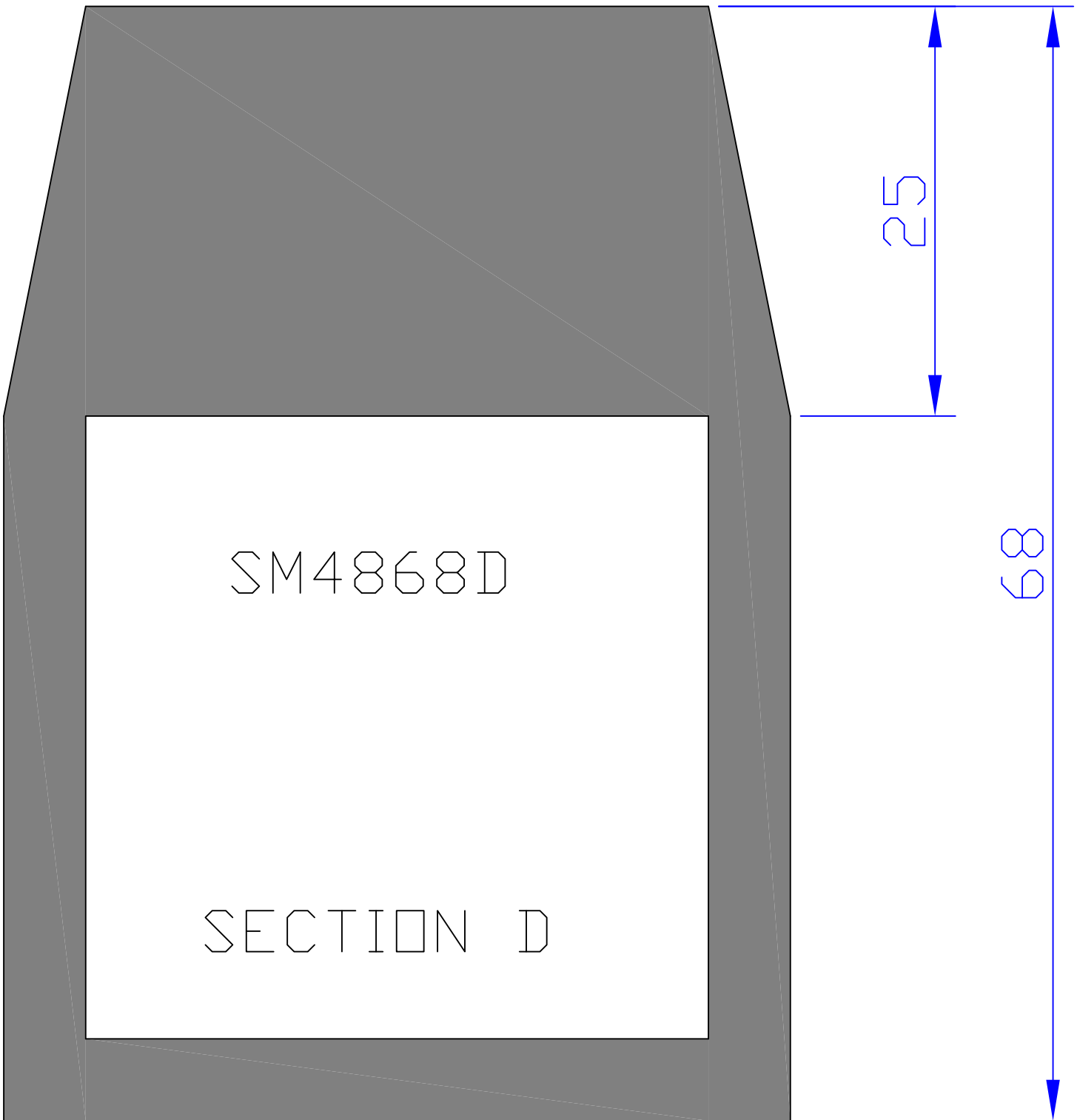


SH4028









SM4868D

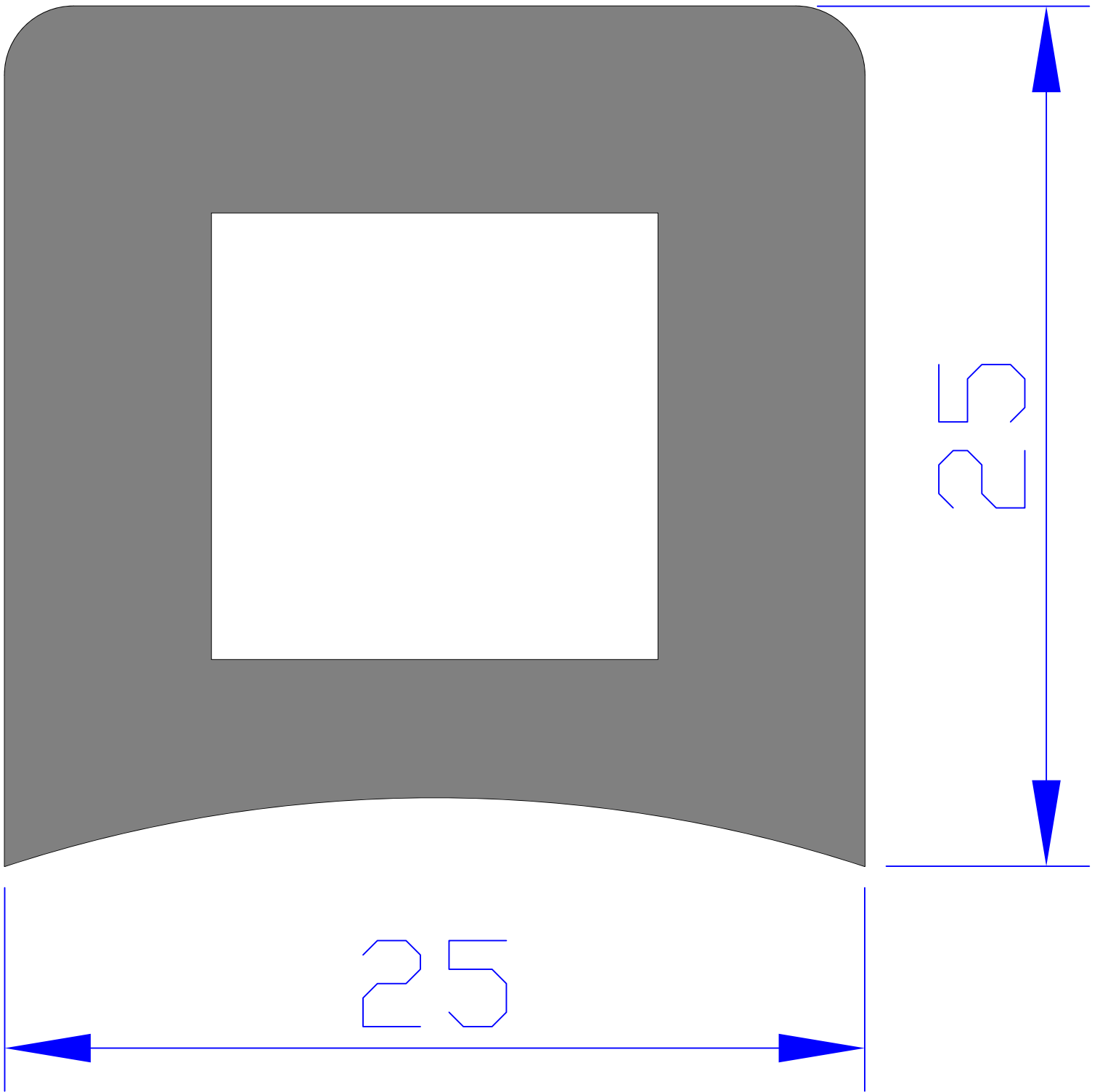
SECTION D

25

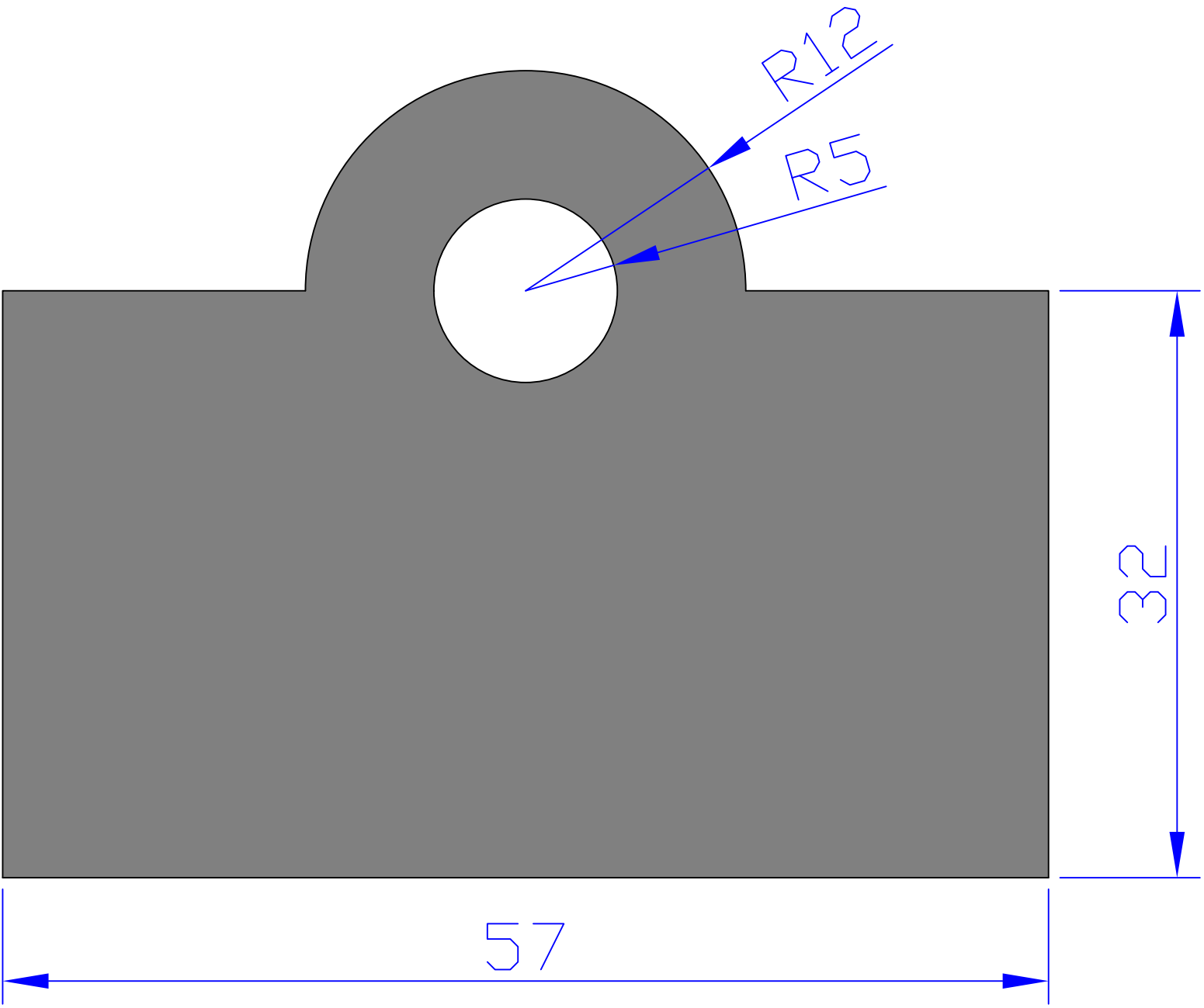
68

38

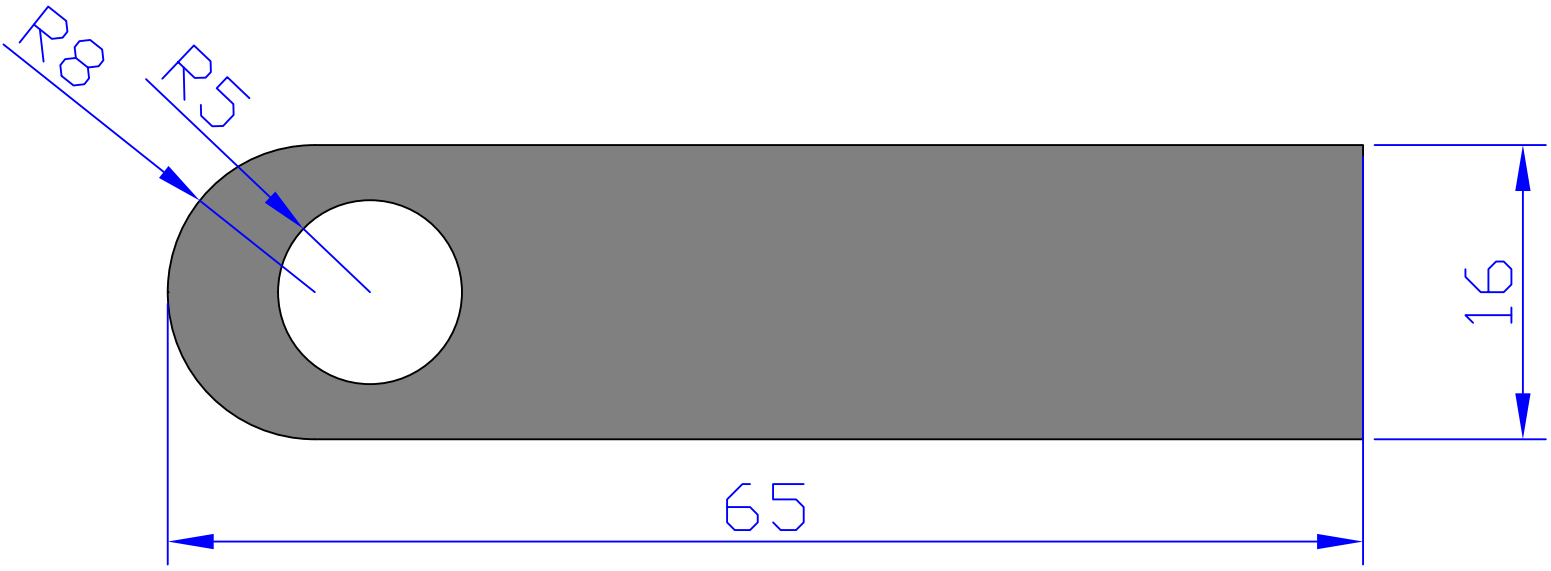
48



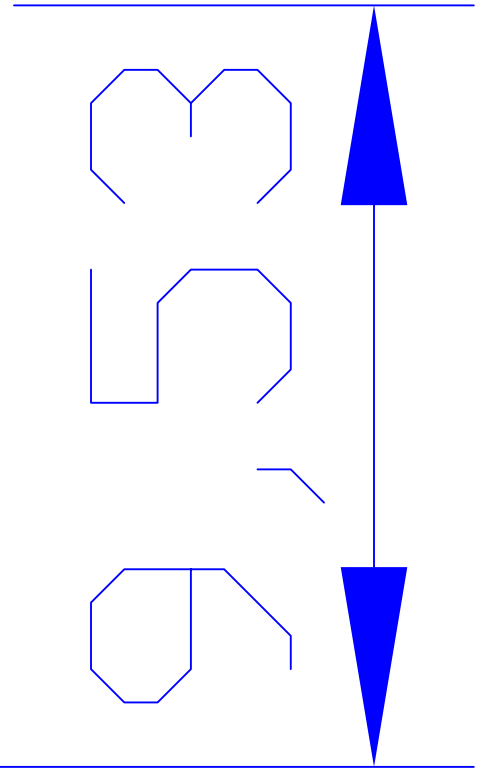
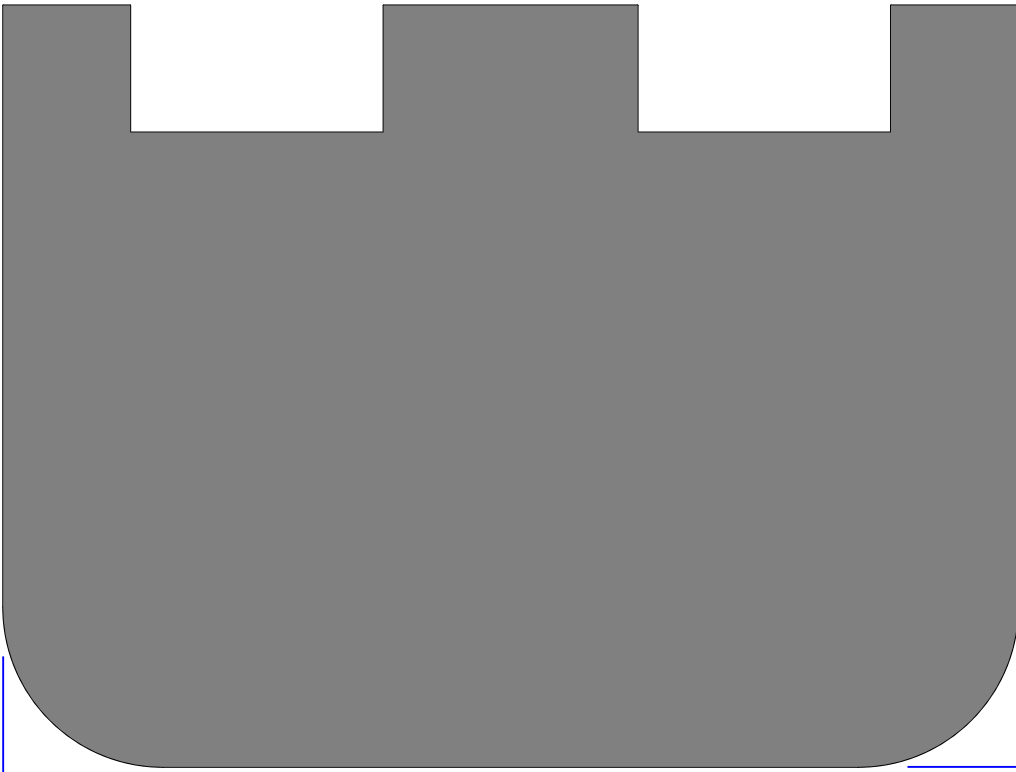
SQ2525/H



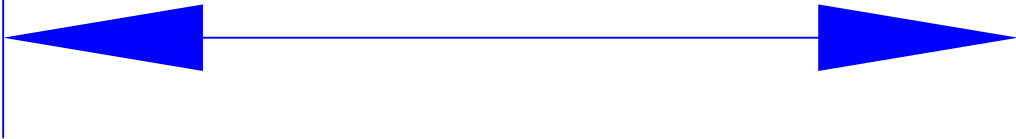
SQRT5732



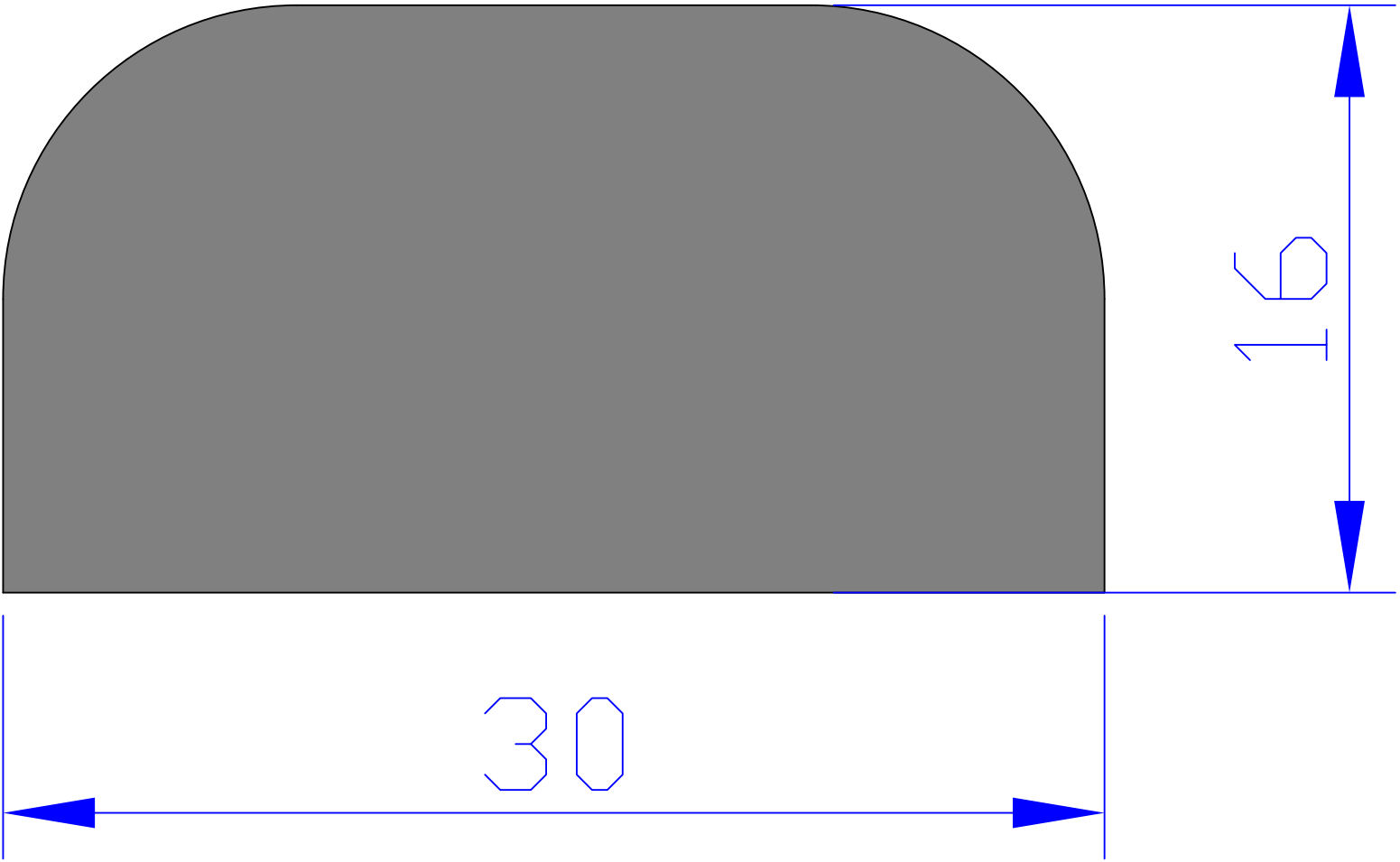
SS6516



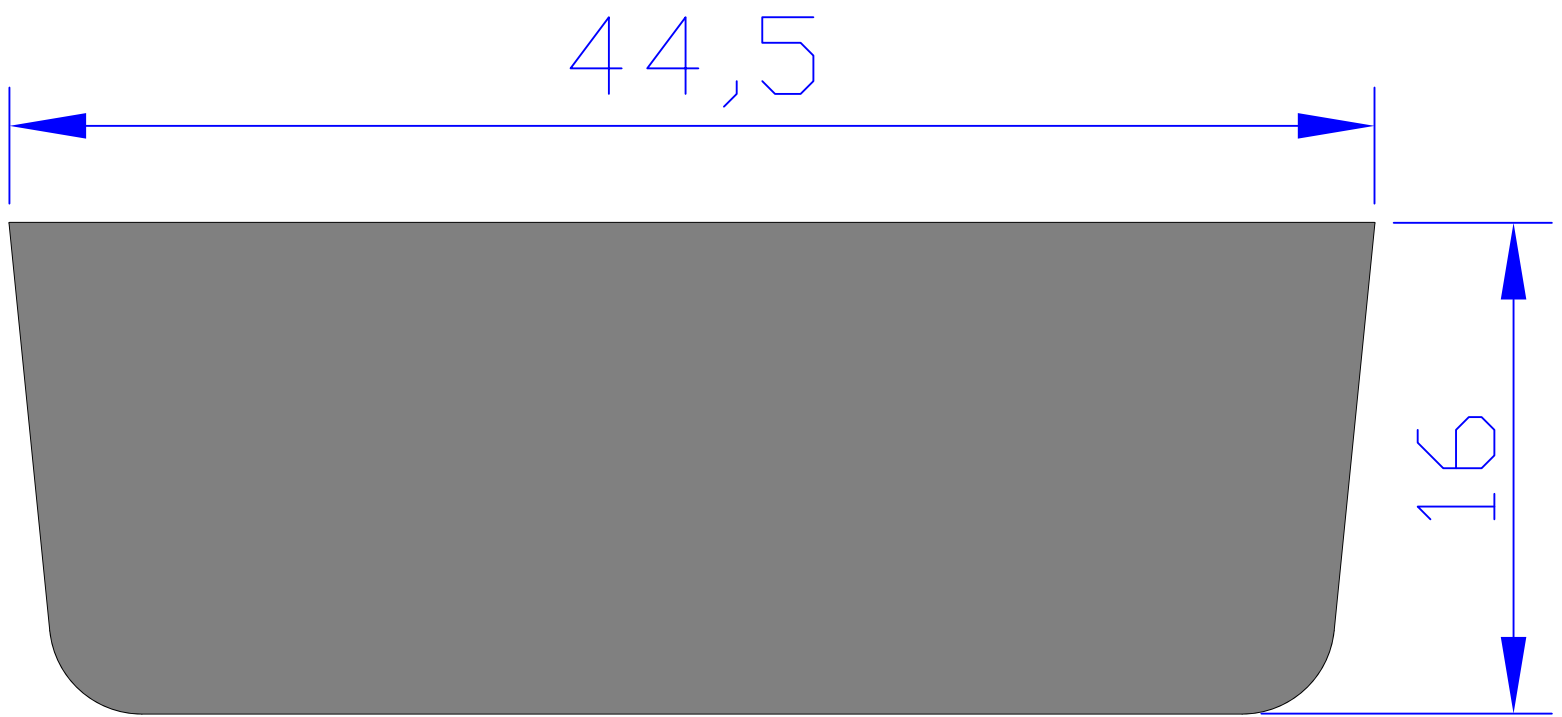
12,7



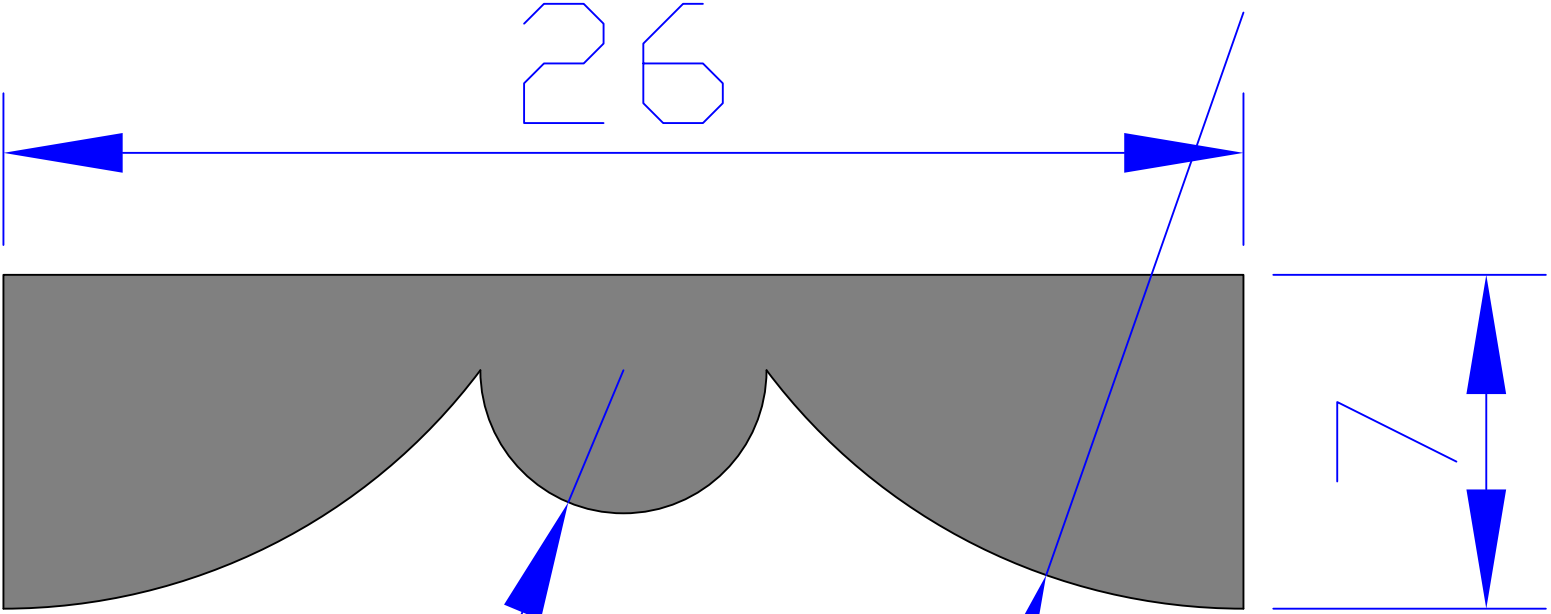
S T 1 3 1 0



ST 3016



ST4516

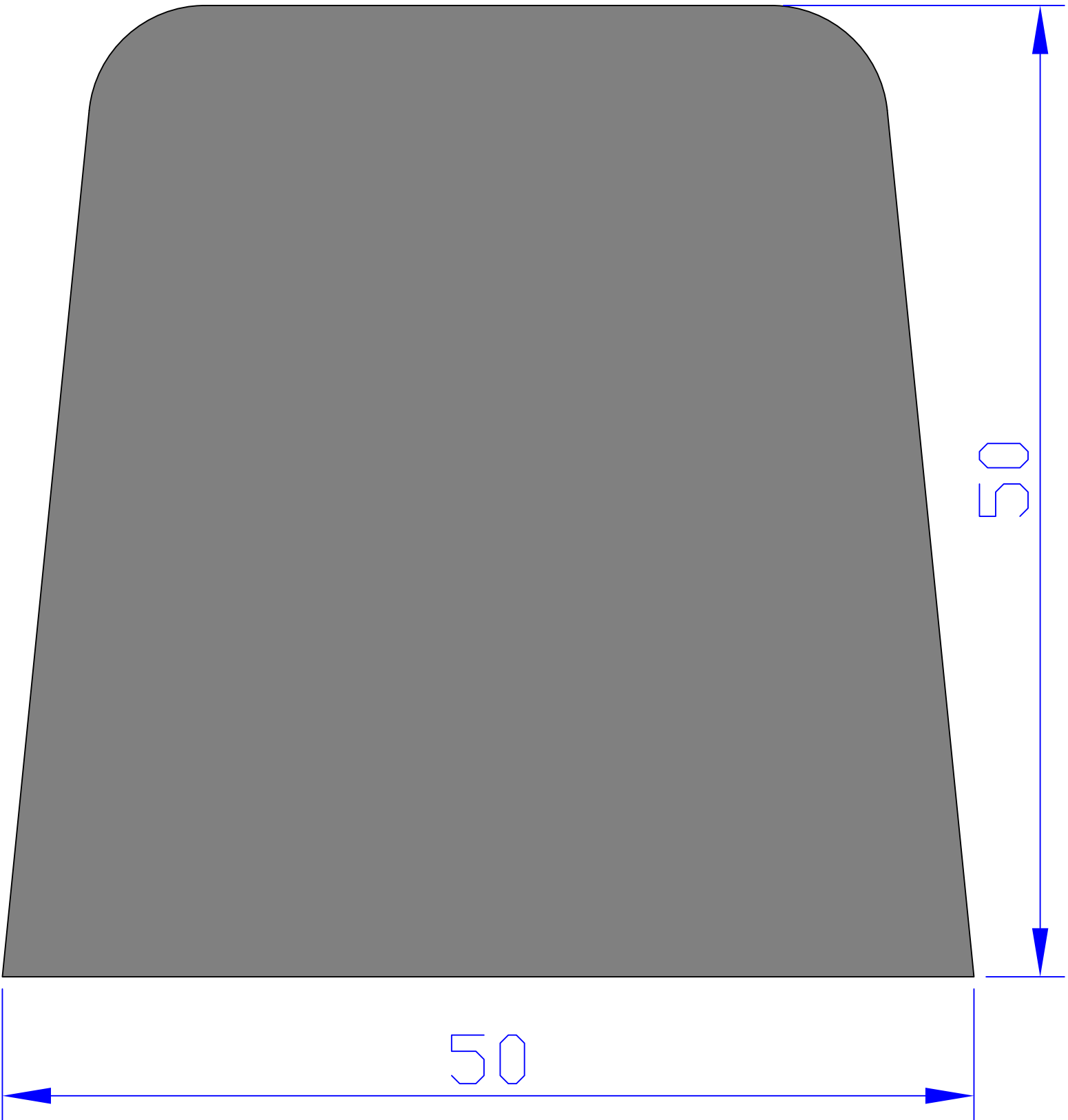


26

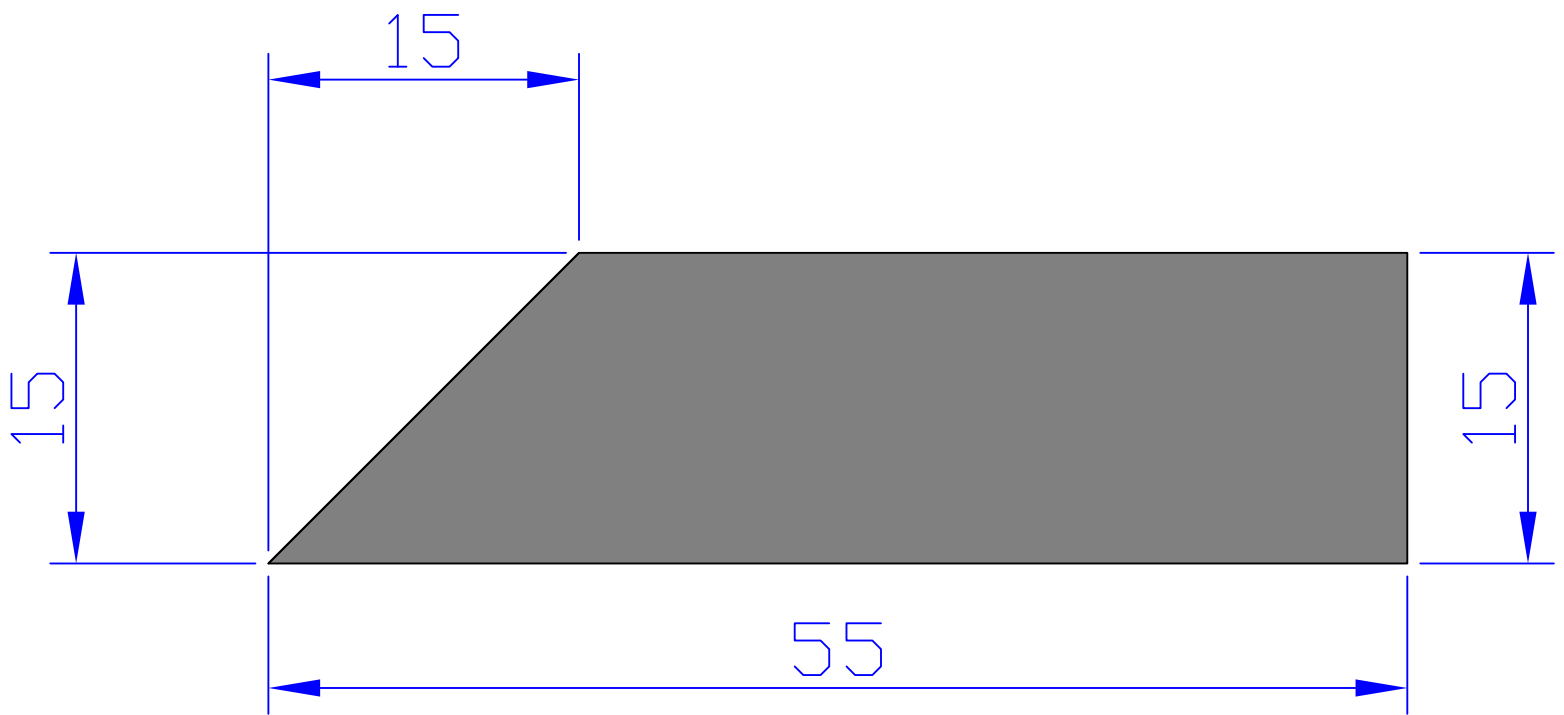
R12.5

R12.5

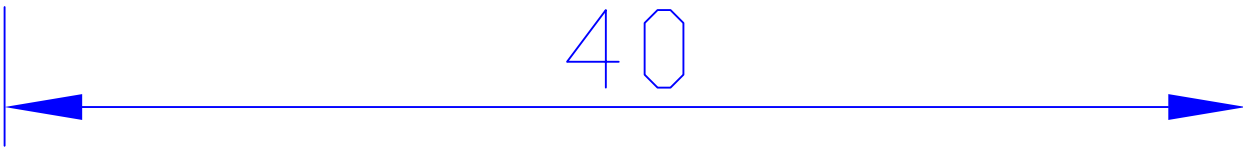
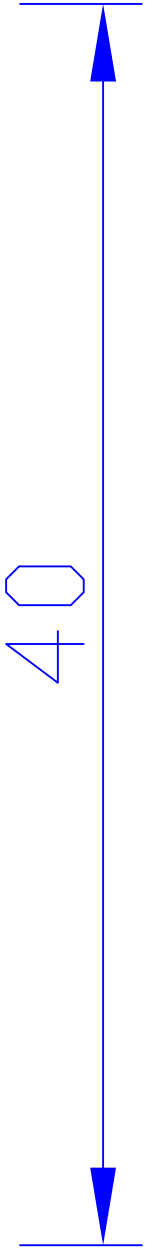
TP2



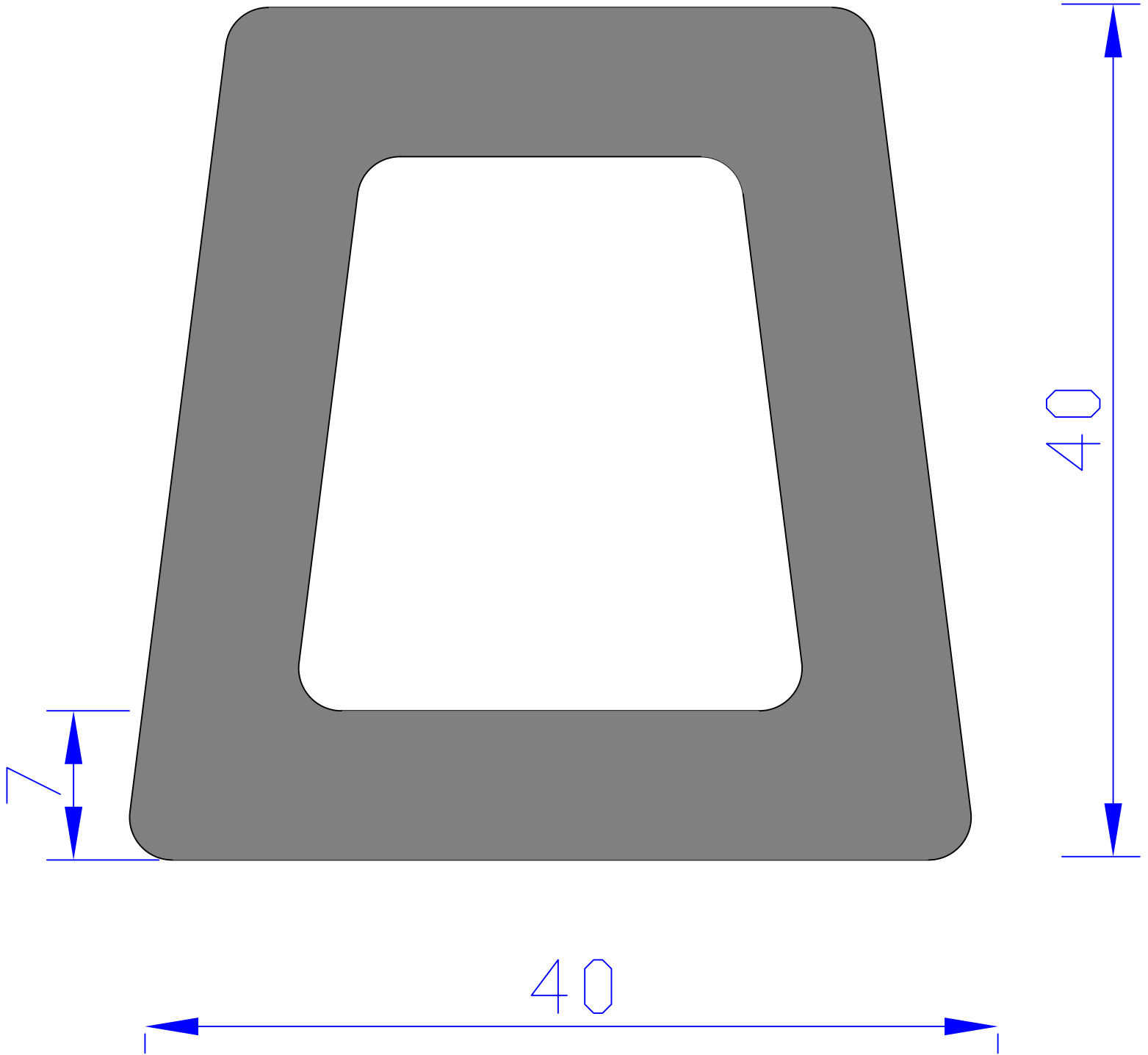
TR5050



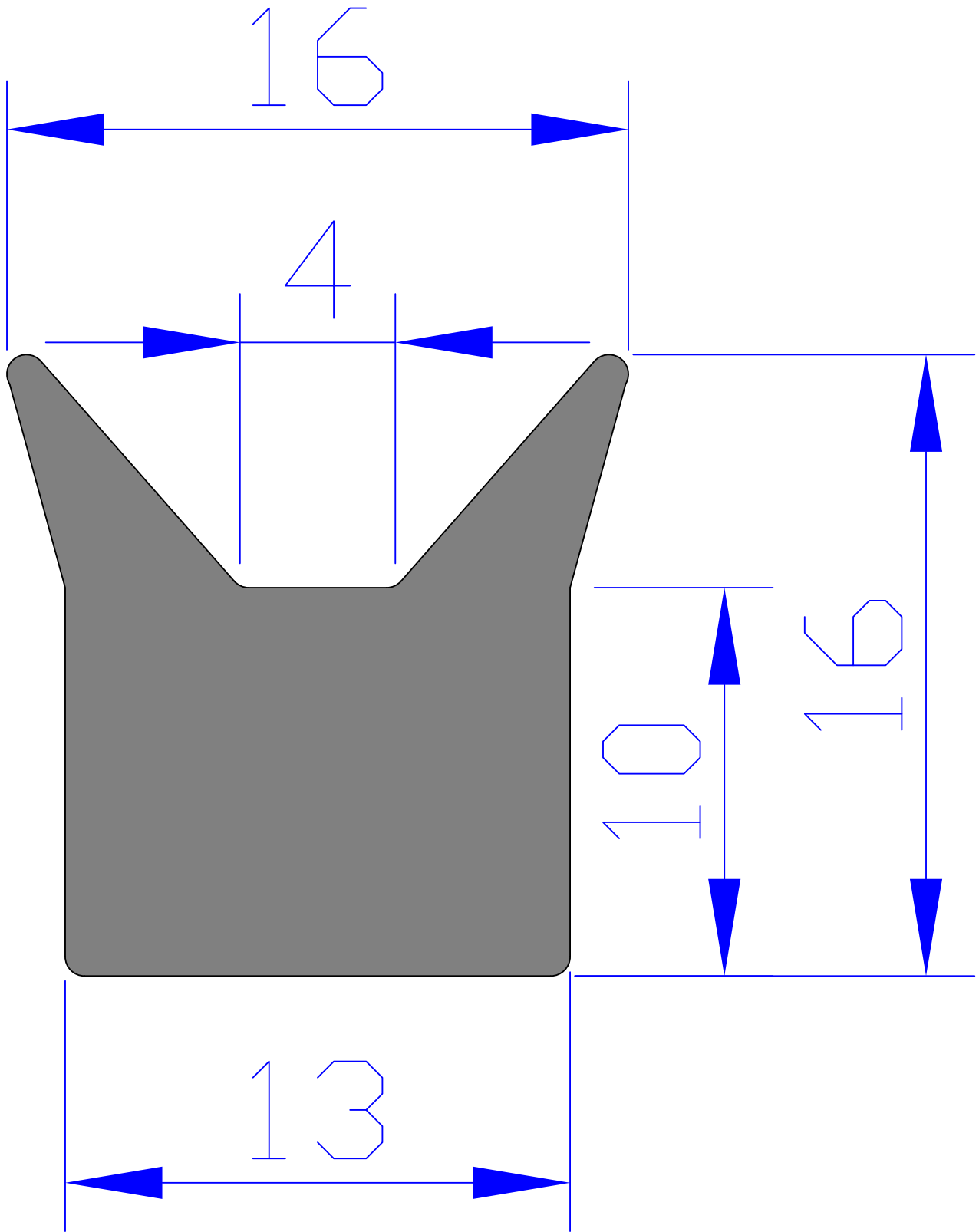
TZ5515



TZ404030



TZ404030/7



VS1